

Relative humidity > 95%  
 Storage temperature -40 °C to + 70 °C (-40 °F to +158 °F)  
 Operating temperature -25 °C to + 55 °C (-13 °F to +131 °F)

**Environmental**

Material ABS  
 Color white (RAL 9010)  
 Weight 3 kg (6 lb)  
 Dimensions (D x L) 185 x 297 mm (7.3 x 11.7 in)

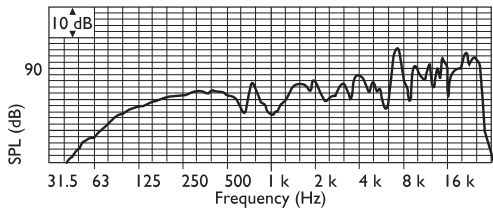
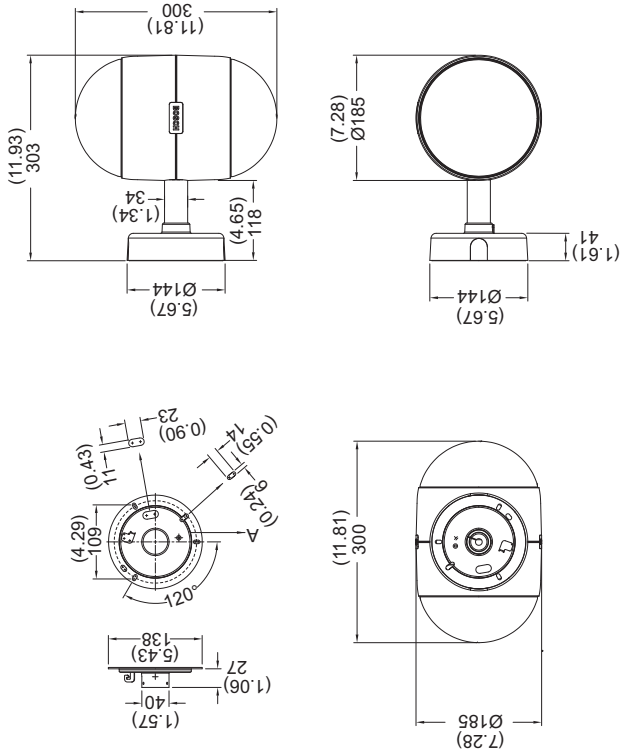
**Mechanical**

Connector 3 pole screw terminal  
 Rated impedance 1000 Ohm  
 Rated voltage 100 V  
 Effective frequency range (-10 dB) 75 Hz to 20 kHz  
 at 1 kHz / 4 kHz (-6dB) 165 / 60 degrees  
 Opening angle 90 dB / 80 dB (SPL)  
 Sound pressure level at 10 W / 1W (1 kHz, 1 m)  
 Rated power 10 / 5 / 2.5 / 1.25 W  
 Maximum power 15 W

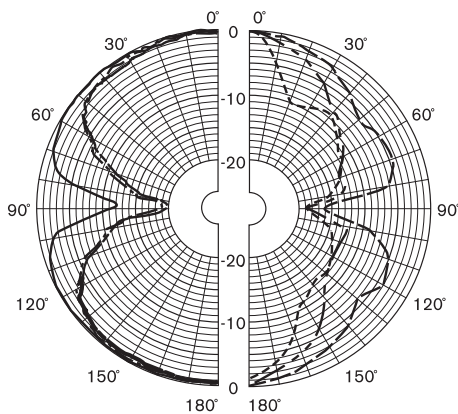
**Electrical**

TECHNICAL PERFORMANCE DATA ACC. TO IEC 60268-5

Dimensions in mm / (inch), A: cut-out



Frequency response



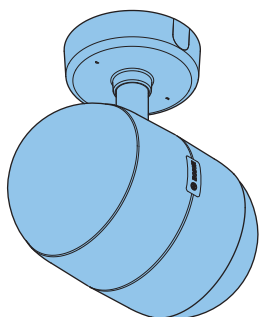
--- 250 Hz      --- 2000 Hz  
 - - - 500 Hz    - - - 4000 Hz  
 - - - 1000 Hz    - - - 8000 Hz

Polar diagram (measured with pink noise)

Sound Projector



en | Instructions for use  
 LP1-BC10E-1



LP1-BC10E-1

