

**Technical performance data acc. to IEC 60268-5**

Maximum power	<b>LBC 3482/00</b> 37.5 W
Rated power	25 W (25-12.5-6.25 W)
Sound pressure level at rated power/1W (at 1kHz,1m)	121/107 dB (SPL)
Effective frequency range (-10 dB)	550 Hz to 5 kHz
Opening angle (at 1kHz/4kHz, -6dB)	70° / 25°
Rated input voltage	100 V
Rated impedance	400 Ω
Ambient temperature range	-25°C +55°C
Water-and dust protected	acc. to IEC 60529 IP 65
Safety	acc. to EN 60065
Connection	screw terminal block
Cable dia.	6 mm (min) - 12 mm (max)
Dimension	
Overall length	425 mm (16.7 in)
Aperture dia	355 mm (14 in)
Colour	Light grey (RAL 7035)
Weight	3.6 kg (8 lb)

**Technical performance data acc. to IEC 60268-5**

Maximum power	<b>LBC 3483/00</b> 52.5 W
Rated power	35 W (35-17.5-8.75 W)
Sound pressure level at rated power/1W (at 1kHz,1m)	127/112 dB (SPL)
Effective frequency range (-10 dB)	380 Hz to 5 kHz
Opening angle (at 1kHz/4kHz, -6dB)	50° / 25°
Rated input voltage	100 V
Rated impedance	286 Ω
Ambient temperature range	25°C +55°C
Water-and dust protected	acc. to IEC 60529 IP 65
Safety	acc. to EN 60065
Connection	screw terminal block
Cable dia.	6 mm (min) - 12 mm (max)
Dimension	
Overall length	499 mm (19.6 in)
Aperture dia	490 mm (20 in)
Colour	Light grey (RAL 7035)
Weight	4.5 kg (10 lb)

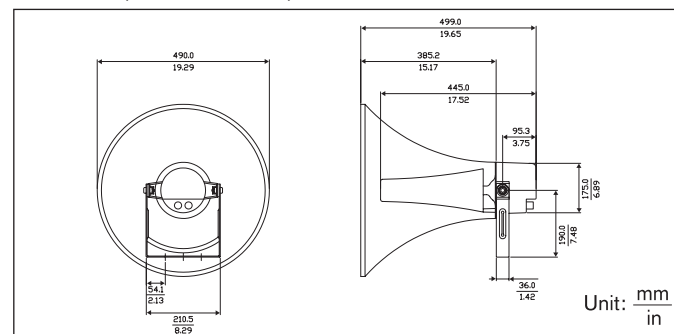
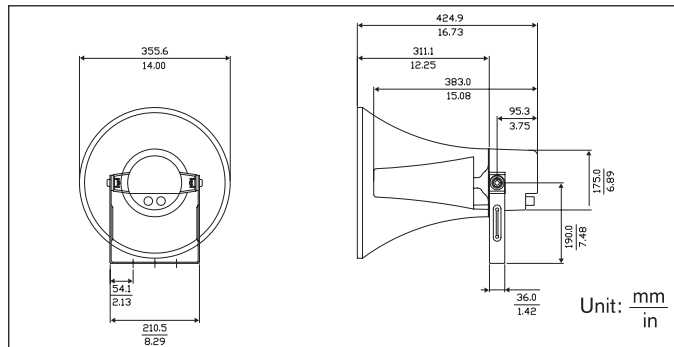
Maximum power	<b>LBC 3484/00</b> 75W
Rated power	50W (50-25-12.5W)
Sound pressure level at rated power/1W (at 1kHz,1m)	130 dB/110 dB (SPL)
Effective frequency range (-10 dB)	350 Hz to 4 kHz
Opening angle (at 1kHz/4kHz, -6dB)	60° /28°
Rated input voltage	100 V
Rated impedance	200 Ω
Ambient temperature range	-25°C to +55 °C
Water-and dust protected	acc. to IEC 60529 IP65
Safety	acc. to EN 60065
Connection	screw terminal block
Cable dia.	6mm(min)-12mm(max)
Dimension	
Overall length	449 mm (19.6 in)
Aperture dia	490 mm (20 in)
Colour	Light grey (RAL 7035)
Weight	6 kg (13.22 lb)

**Horn Loudspeaker**

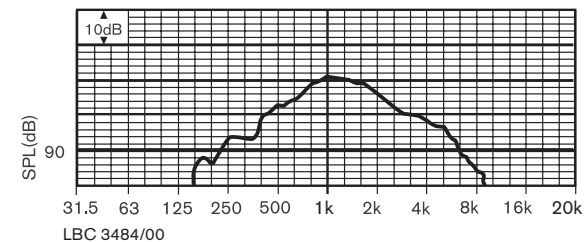
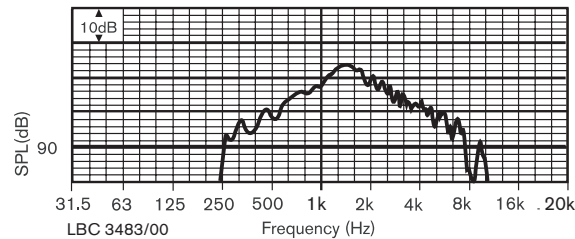
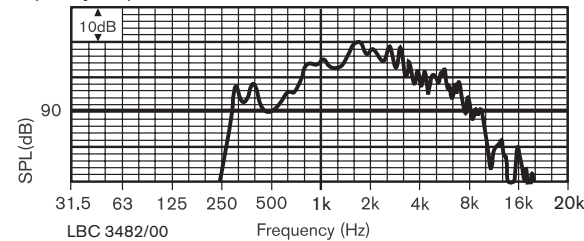


Security Systems

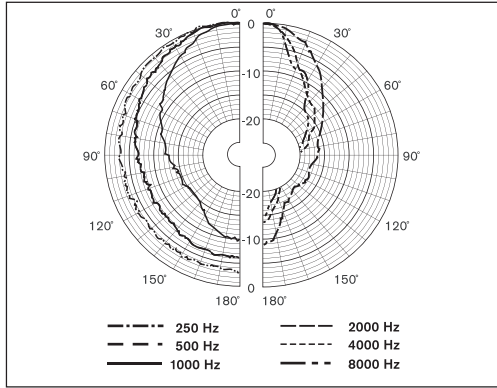
EN Installation and User Instructions  
LBC 3482/00  
LBC 3483/00  
LBC 3484/00



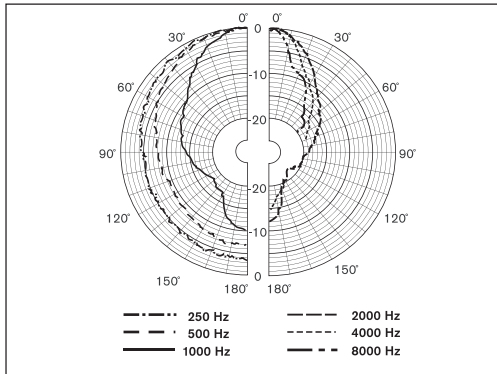
**Frequency response**



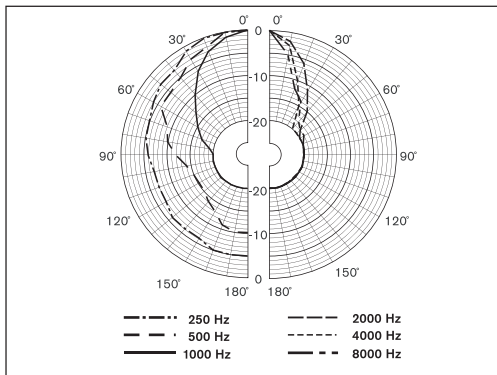
Polar diagram(measured with pink noise)



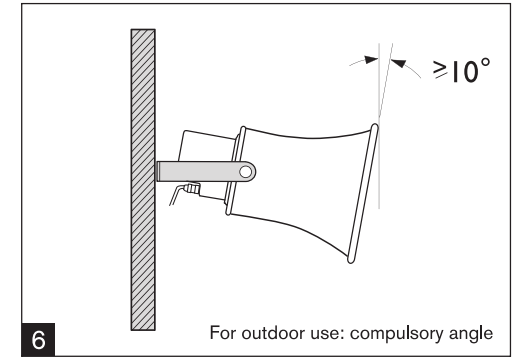
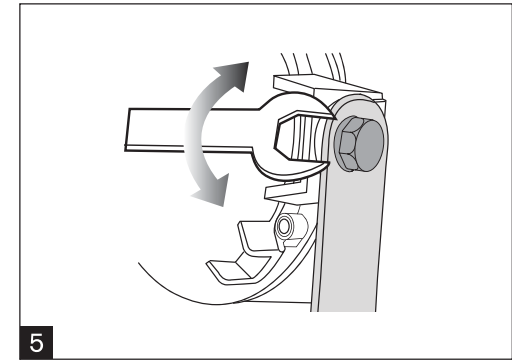
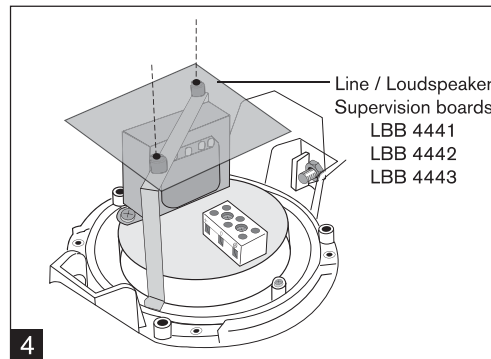
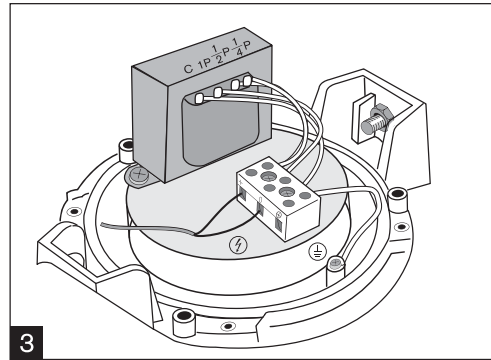
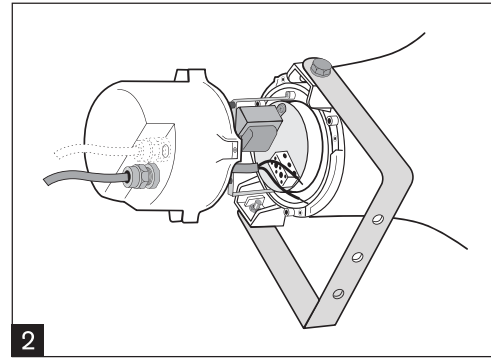
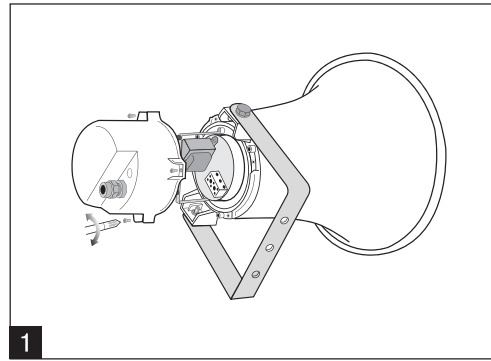
LBC 3482/00



LBC 3483/00



LBC 3484/00



Circuit diagram

