



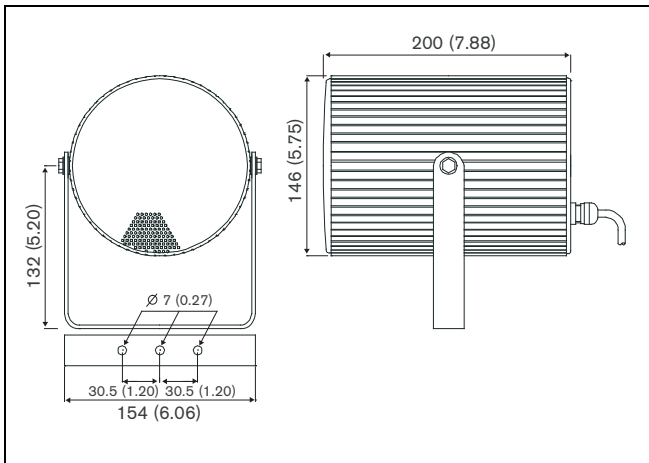
Metal Sound Projector

LBC 3432/02, LBC 3432/02-AU, LBC 3432/02-US

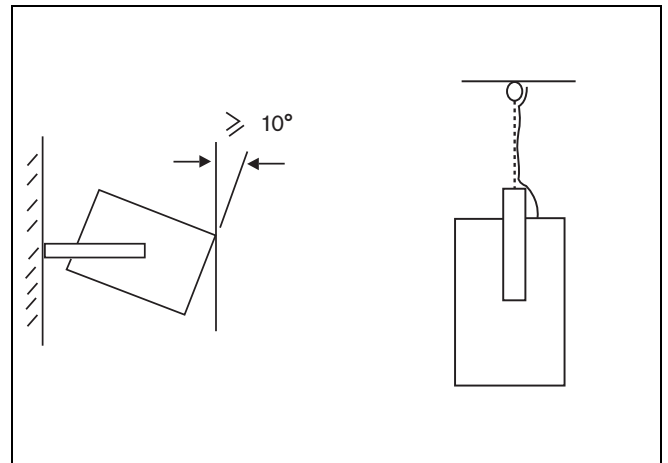


BOSCH

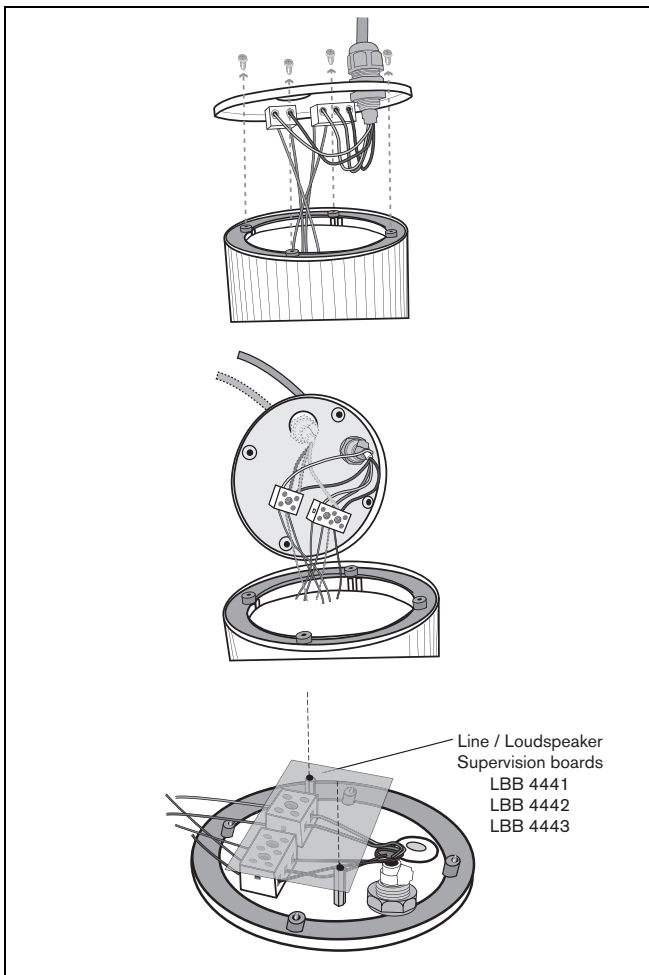
en Installation Note



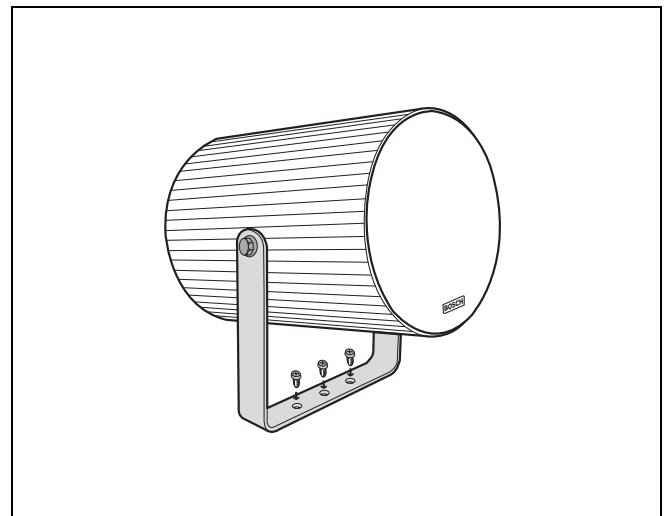
Dimensions in mm (in)



Installation on the wall or ceiling



Installation of the supervision board



Installation of the bracket

Electrical

Maximum power
 Rated power (PHC)
 Power tapping
 Sound pressure level at 1W (at 1kHz, 1m)
 Effective frequency range (-10dB)
 Opening angle (at 1kHz/4 kHz, -6dB)
 Rated voltage
 Rated impedance
 Safety

30 W
 20 W
 20 / 10 / 5 / 2.5 W
 92 dB / 105 dB (SPL)
 150 Hz to 20 kHz
 180° / 70°
 70 V * / 100 V
 250 ohm * / 500 ohm
 According to EN 60065

Mechanical

Dimensions
 Weight
 Color
 Material
 Connection

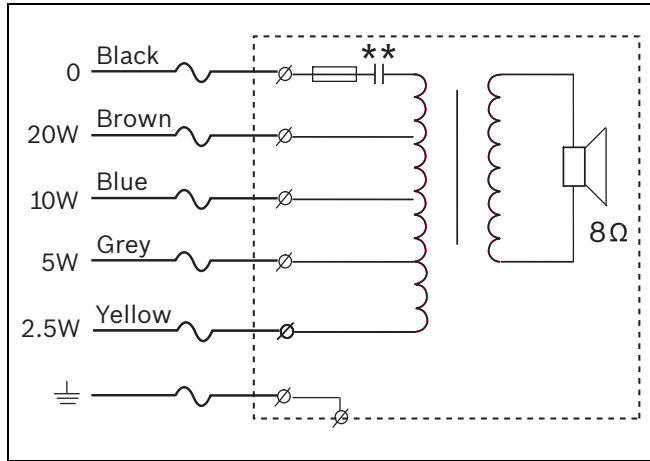
146 mm (5.75 in) dia. x 200 mm (7.87 in)
 2.6 kg (5.73 lb)
 White (RAL 9010)
 Aluminum
 1 m fire-resistant cable

Environmental

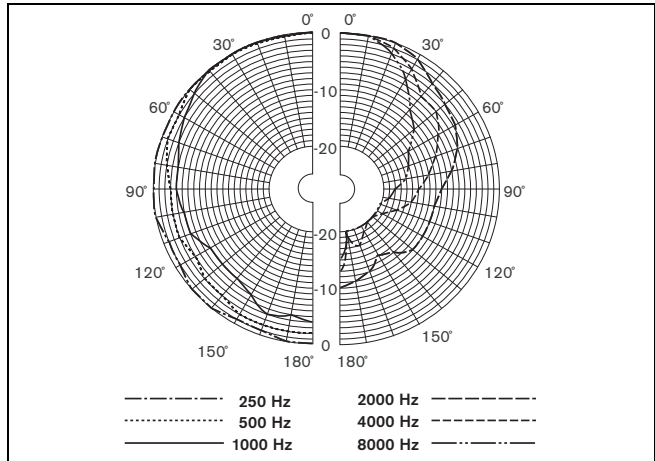
Water/dust protected
 Operating temperature
 Storage temperature
 Relative humidity

According to EN 60529 IP66
 -25° / +55°C (-13 / 131°F)
 -40 / +70°C (-40 / 158°F)
 <95%

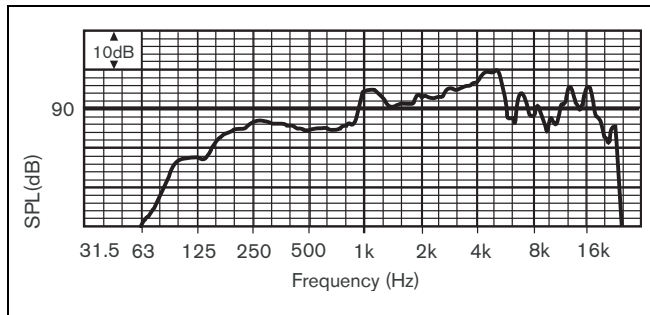
* Only valid for LBC 3432/02-US



Circuit diagram. ** only valid for LBC 3432/02-AU



Polar diagram (measured with pink noise)



Frequency response

Bosch Security Systems B.V.

Kapittelweg 10
4800 RA Breda
The Netherlands

www.boschsecurity.com

© Bosch Security Systems B.V., 2010