

LBC 3432/02 Unidirectional Sound Projector

www.boschsecurity.com



BOSCH
Invented for life



- ▶ Excellent speech and music reproduction
- ▶ Provision for supervision board mounting
- ▶ (Suspended) ceiling and/or wall mounting
- ▶ Water and dust protected to IP 66
- ▶ EN 54-24 certified

The LBC 3432/02 is a powerful 20 W sound projector intended for speech and music reproduction in indoor and outdoor applications. The sturdy, aluminum enclosure is finished in the color off-white. It has provisions for cable loop through connection and mounting of a line or loudspeaker supervision board. The sound projector is suitable for use in voice alarm systems.

Functions

Voice alarm loudspeakers are specifically designed for use in buildings where performance of systems for verbal communication announcements is governed by regulations. The LBC 3432/02 is designed for use in voice alarm systems and is compliant with British Standard BS 5839-8 and EN 60849.

The sound projector has provision inside for mounting an optional line/loudspeaker supervision board. The loudspeaker has built-in protection to secure that, in the event of a fire; damage to the loudspeaker does not result in failure of the circuit to which it is connected. In this way, system integrity is maintained; ensuring loudspeakers in other areas can still be used

to inform people of the situation. The loudspeaker has a ceramic terminal block, thermal fuse and heat resistant, high-temperature wiring.

The sound projector is constructed from extruded aluminum and finished in off- white. The front-grill and bracket are made from aluminum to increase corrosion resistance.

Certifications and Approvals

Quality assurance

All Bosch loudspeakers are designed to withstand operating at their rated power for 100 hours in accordance with IEC 268-5 Power Handling Capacity (PHC) standards. Bosch has also developed the Simulated Acoustical Feedback Exposure (SAFE) test to demonstrate that they can withstand two times their rated power for short durations. This ensures improved reliability under extreme conditions, leading to higher customer satisfaction, longer operating life, and lessens the chance of failure or performance deterioration.

Safety	acc. to EN 60065
Emergency	acc. to BS 5839-8 / EN 54-24 / EN 60849
Water and dust protection	acc. to IEC 60529, IP 66

Region	Certification
Europe	CE
Poland	CNBOP
	CNBOP

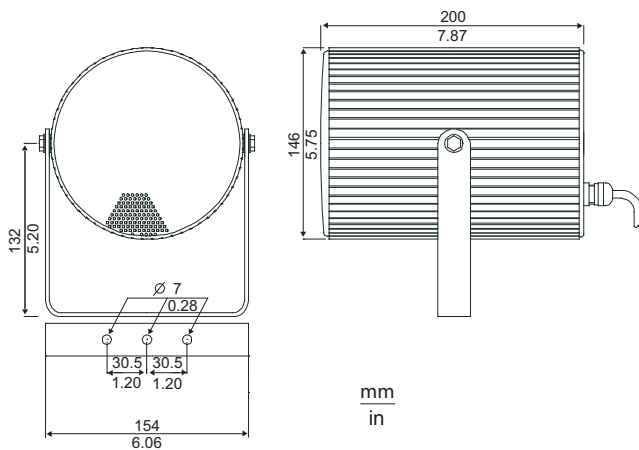
Installation/Configuration Notes

Mounting

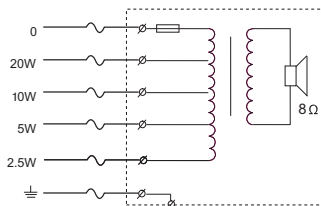
A sturdy aluminum mounting bracket is supplied to allow easy mounting and directing in virtually any position. The sound projector may also be suspended using the bracket.

Power Setting

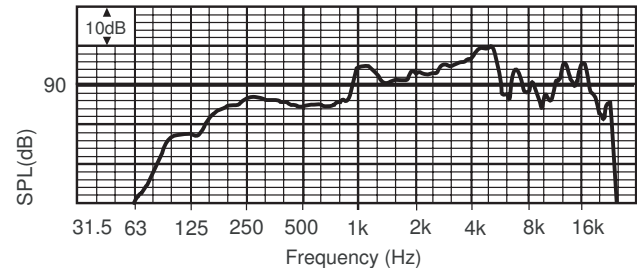
A one meter long fire-resistant six-core cable is standard fitted to the loudspeaker. Each core is a different color, and is connected to one of the primary taps on the transformer. For loop-through connection, the rear cover is fitted with a second entry hole (covered as standard supplied).



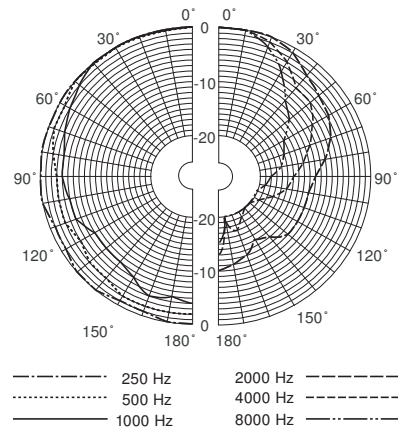
Dimensions: mm / in



Circuit diagram



Frequency response



Polar diagram

Octave band sensitivity*

	Octave SPL 1W/1m	Total octave SPL 1W/1m	Total octave SPL Pmax/1m
125 Hz	81.2	-	-
250 Hz	87.0	-	-
500 Hz	86.2	-	-
1000 Hz	92.2	-	-
2000 Hz	94.5	-	-
4000 Hz	100.4	-	-
8000 Hz	93.3	-	-
A-weighted	-	93.2	104.9
Lin-weighted	-	93.1	104.2

Octave band opening angles

	Horizontal	Vertical	
125 Hz	360	360	
250 Hz	360	360	
500 Hz	360	360	
1000 Hz	179	179	
2000 Hz	105	105	

4000 Hz	49	49	
8000 Hz	46	46	

Acoustical performance specified per octave

* (all measurements are done with a pink noise signal; the values are in dB SPL)

Technical Specifications

Electrical*

Maximum power	30 W
Rated power	20 / 10 / 5 / 2.5 W
Sound pressure level at 20 W / 1 W (1 kHz, 1 m)	105 / 92 dB (SPL)
Opening angle at 1 kHz / 4 kHz (-6 dB)	180° / 70°
Effective frequency range (-10 dB)	150 Hz to 20 kHz
Rated voltage	100 V
Rated impedance	500 ohm
Connector	1 m fire-resistant cable

* Technical performance data acc. to IEC 60268-5

Mechanical

Dimensions (D x L)	146 x 200 mm (5.7 x 7.9 in)
Weight	2.6 kg (5.7 lb)
Color	White (RAL 9010)
Material	Aluminum

Environmental

Operating temperature	-25 °C to +55 °C (-13 °F to +131 °F)
Storage temperature	-40 °C to +70 °C (-40 °F to +158 °F)
Relative humidity	<95%

Other parameters are available in CNBOP test report nr 4785/BA/10.



1438

Bosch Security Systems BV
Kapittelweg 10, 4827 HG Breda, The Netherlands
10
1438-CPD-0190

EN 54-24:2008

Loudspeaker for voice alarm systems
for fire detection and fire alarm systems for buildings

Sound Projector 20 W
LBC3432/02
Type B

Ordering Information

LBC 3432/02 Unidirectional Sound Projector

20 W, white (RAL 9010)

Order number **LBC 3432/02**

Represented by:

Americas:

Bosch Communications Systems
12000 Portland Avenue South
Burnsville, Minnesota 55337, USA
Phone: +1-800-392-3497
Fax: +1-800-955-6831
audiosupport@us.bosch.com
www.boschsecurity.com

Europe, Middle East, Africa:

Bosch Security Systems B.V.
P.O. Box 80002
5600 JB Eindhoven, The Netherlands
Phone: + 31 40 2577 284
Fax: +31 40 2577 330
emea.securitysystems@bosch.com
www.boschsecurity.com

Asia-Pacific:

Robert Bosch (SEA) Pte Ltd
11 Bishan Street 21
Singapore 573943
Phone: +65 6571 2600
Fax: +65 6571 2698
apr.securitysystems@bosch.com
www.boschsecurity.com