

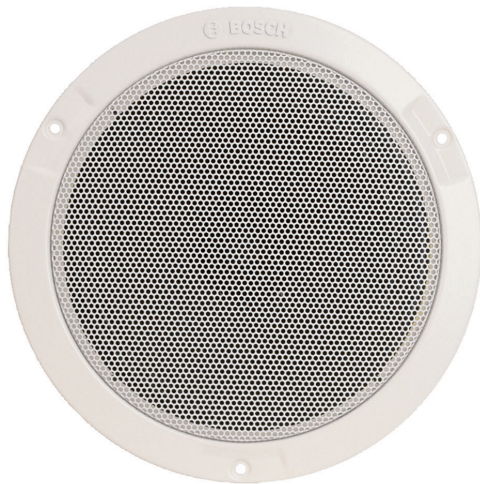
LBC 3087/41 Ceiling Loudspeaker

www.boschsecurity.com



BOSCH

Invented for life



- ▶ Suitable for speech and music reproduction
- ▶ Increased sensitivity
- ▶ Flush-mounted in ceilings
- ▶ Screw mounting
- ▶ Simple power setting

Voice alarm loudspeakers are specifically designed for use in buildings where performance of systems for verbal evacuation announcements is governed by regulations. The LBC 3087/41 is designed for use in voice alarm systems and is compliant with British standard BS 5839-8.

Functions

The LBC 3087/41 is an economic flush-mounting ceiling loudspeaker for general-purpose applications. It is a full-range loudspeaker for speech and music reproduction in shops, department stores, schools, offices, sports halls, hotels and restaurants.

The LBC 3087/41 has a single-piece, 6 W, dual-cone loudspeaker. A 100 V matching transformer is mounted on the back of the frame. The circular metal grille is an integrated part of the front, and is finished in an unobtrusive white color (RAL 9010)

The loudspeaker has built-in protection to ensure that, in the event of a fire, damage to the loudspeaker does not result in failure of the circuit to which it is connected. In this way, system integrity is maintained, ensuring loudspeakers in other areas can still be used to inform people of the situation. The loudspeaker has ceramic terminal blocks, thermal fuse and heat-

resistant, high-temperature wiring. It can also be fitted with an optional fire-dome to increase protection of the cable termination.

Certifications and Approvals

All Bosch loudspeakers are designed to withstand operating at their rated power for 100 hours in accordance with IEC 268-5 Power Handling Capacity (PHC) standards. Bosch has also developed the Simulated Acoustical Feedback Exposure (SAFE) test to demonstrate that they can withstand two times their rated power for short durations. This ensures extra reliability under extreme conditions, leading to higher customer satisfaction, longer operating life, and much less chance of failure or performance deterioration.

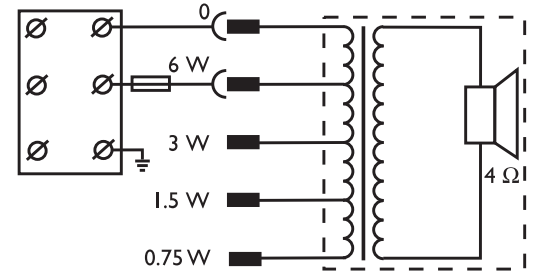
Safety	acc. to EN 60065
Emergency	acc. to BS 5839-8 / EN 60849
Ball-proof	acc. to DIN VDE 0710 part 13
* Water and dust protection	acc. to EN 60529-IP32



Notice

* only in combination with the LBC 3080/01 Fire Dome

Region	Certification
Poland	CNBOP
	CNBOP
Europe	CE



Circuit diagram

Installation

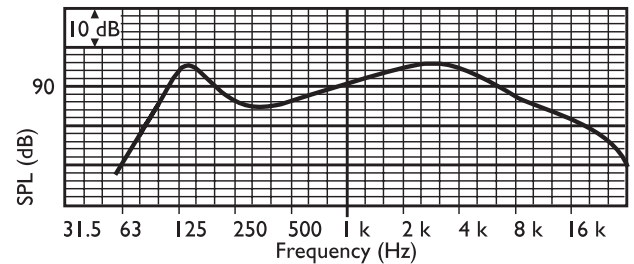
The assembly is quickly installed into a hole in the ceiling cavity and secured with three white-colored screws (supplied). A circular template for marking a 165 mm (6.5 in) diameter hole is included with the loudspeaker.

Terminal Block

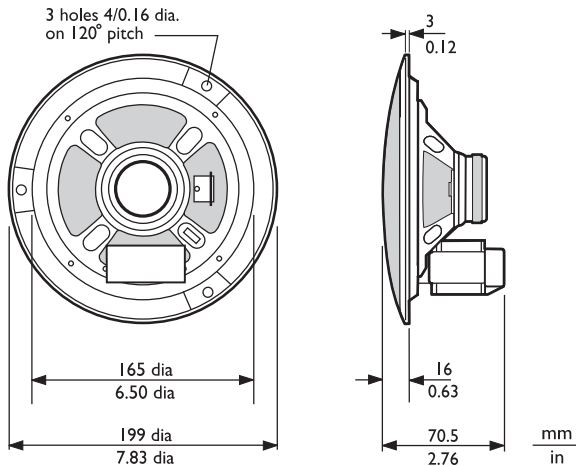
The unit has a three-way terminal block with screw connections suitable for loop-through wiring. Four primary taps are provided on the matching transformer to allow selection of nominal full-power, half-power, quarter-power or eighth power radiation (i.e. in 3 dB steps).

Fire dome

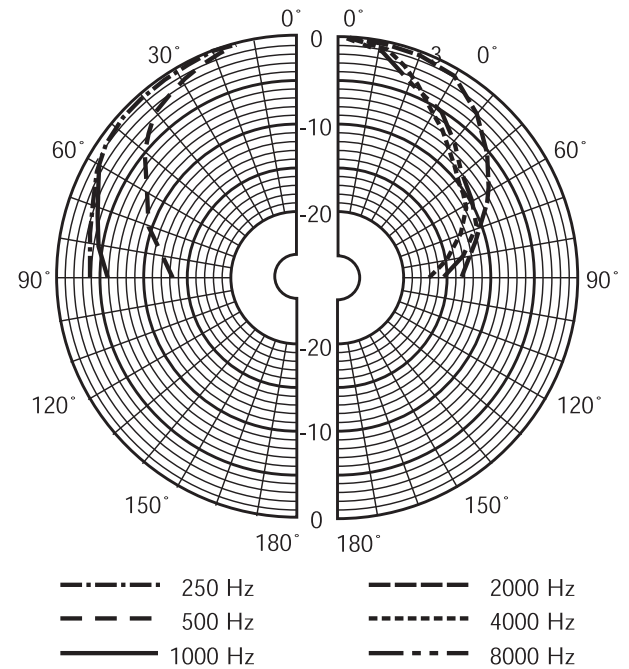
During a fire, the ceiling cavity in which loudspeakers are installed can allow flames to spread throughout a building. To prevent fire entering the caving via the loudspeaker, the ceiling loudspeaker can be fitted with a protective steel fire dome (LBC 3080/01). This optional fire dome is mounted on the loudspeaker assembly using four self-tapping screws, supplied as standard. There are four knock-out holes; two (2) for rubber grommets (supplied) and two (2) for cable glands. (PG13).



Frequency response



Dimensions in mm (in)



Polar diagram (measured with pink noise)

	125 Hz	250 Hz	500 Hz	1 kHz	2 kHz	4 kHz	8 kHz
SPL 1.1	94	91	86	89	94	94	86
SPL max.	102	99	94	97	102	102	94
Q-factor	3	4.7	2.3	4.5	6.6	11	17

Efficiency	1.1	0.4	0.2	0.2 2	0.4 8	0.3	0.0 3
H. angle	170	150	180	16 0	10 0	65	55
V. angle	170	150	180	16 0	10 0	65	55

Acoustical performance specified per octave

Parts Included

Quantity	Component
1	LBC 3087/41 Ceiling Loudspeaker
3	White colored screws
1	165 mm circular template

Technical Specifications

Electrical*

Maximum power	9 W
Rated power	6 / 3 / 1.5 / 0.75 W
Sound pressure level at 6 W / 1 W (1 kHz, 1 m)	97 dB / 89 dB (SPL)
Sound pressure level at 6 W / 1 W (4 kHz, 1 m)	102 dB / 94 dB (SPL)
Effective frequency range (-10 dB)	80 Hz to 18 kHz
Opening angle at 1 kHz / 4 kHz (-6 dB)	160° / 65°
Rated voltage	100 V
Rated impedance	1667 ohm
Connector	3-pole screw terminal block

* Technical performance data acc. to IEC 60268-5

Mechanical

Diameter	199 mm (7.8 in)
Maximum depth	70.5 mm (2.8 in)
Mounting cut-out	165 + 5 mm (6.5 + 0.20 in)
Speaker diameter	152.4 mm (6 in)
Weight	720 g (1.6 lb)
Color	White (RAL 9010)
Magnet weight	80 g (2.8 oz)

Environmental

Operating temperature	-25 to +55 °C (-13 °F to +131 °F)
Storage temperature	-40 to +70 °C (-40 °F to +158 °F)
Relative humidity	<95%

Ordering Information

LBC 3087/41 Ceiling Loudspeaker

6 W, dual-cone flush-mounting ceiling loudspeaker for general-purpose applications.

Order number **LBC3087/41**

Accessories

LBC 3080/01 Fire Dome

metal fire dome for the LBC 3087/41, LBC 3090/01, LBC 3090/31, LHM 0606/00 and LHM 0606/10 ceiling loudspeakers

Order number **LBC 3080/01**

Represented by:

Americas:

Bosch Communications Systems
12000 Portland Avenue South
Burnsville, Minnesota 55337, USA
Phone: +1-800-392-3497
Fax: +1-800-955-6831
audiosupport@us.bosch.com
www.boschsecurity.com

Europe, Middle East, Africa:

Bosch Security Systems B.V.
P.O. Box 80002
5600 JB Eindhoven, The Netherlands
Phone: + 31 40 2577 284
Fax: +31 40 2577 330
emea.securitysystems@bosch.com
www.boschsecurity.com

Asia-Pacific:

Robert Bosch (SEA) Pte Ltd
11 Bishan Street 21
Singapore 573943
Phone: +65 6571 2600
Fax: +65 6571 2698
apr.securitysystems@bosch.com
www.boschsecurity.com