

Technical performance data acc. to IEC 60268-5	
Max. power	9 W
Rated power (PHC)	6 W
Sound pressure level	98/90 dB
at rated power/1W (at 1kHz,1m)	180 Hz to 20 kHz
Effective frequency range	(-10 dB)
Opening angle (at 1kHz)	/4kHz, -6dB
Horizontal	165/95
Vertical	150/72
Rated voltage	100V
Rated impedance	1667 Ohm
Size of speaker	5.25" (1 x)
Magnet weight	2.8 oz
Ambient temperature range	-25 to 55 C
Safety	EN 60065
Connection	4-pole-push-in terminal block
Dimension(HxWxD)	240x151x138
Colour	
Cabinet/front	Matches RAL 9010/RAL 7044 (-L)
Cabinet/front	Matches RAL 9004/RAL 9004 (-D)
Weight	0.8kg

Type number overview:

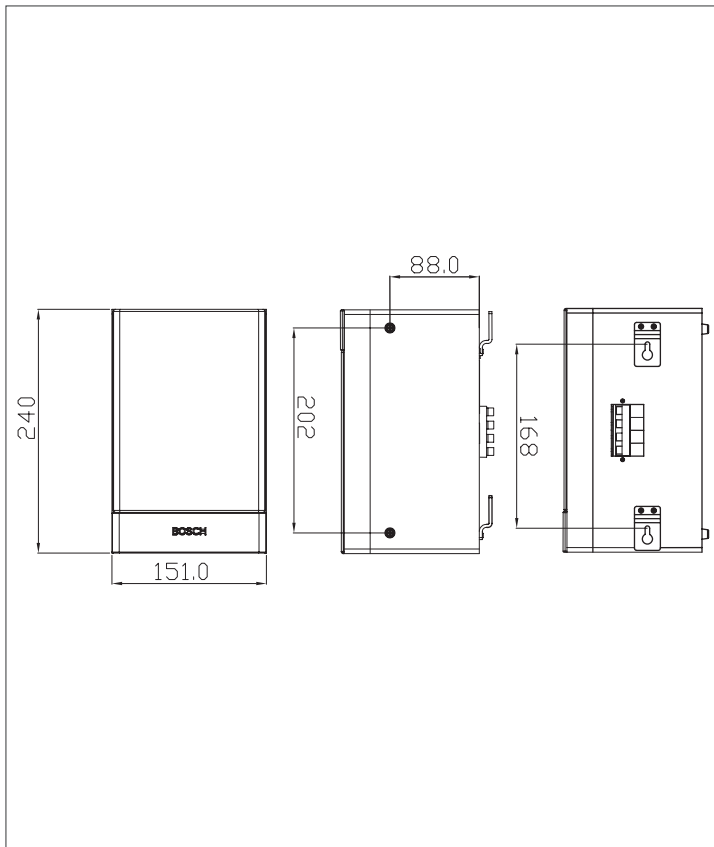
LB1-CW06-D 6W Cabinet (black)

LB1-CW06-L 6W Cabinet (white)

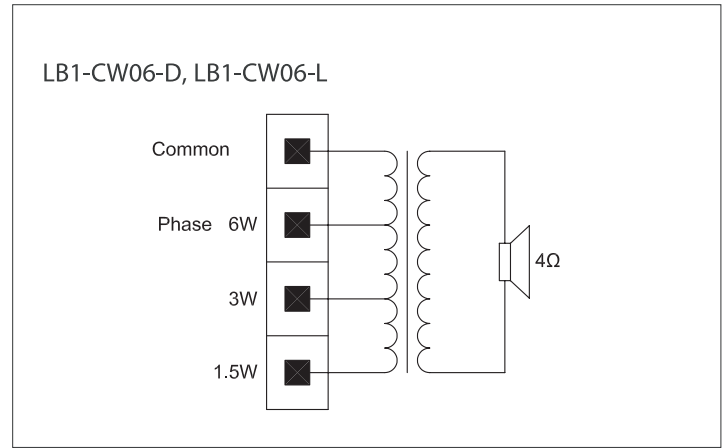
Cabinet Loudspeaker



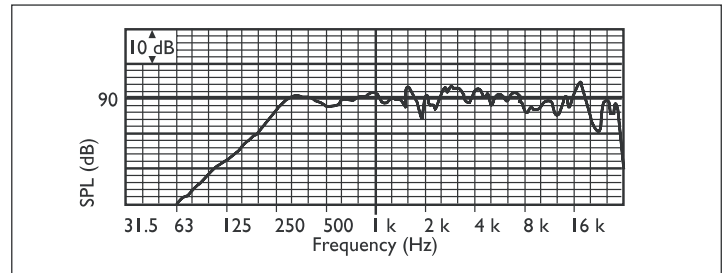
EN | Instructions for use
LB1-CW06-D
LB1-CW06-L



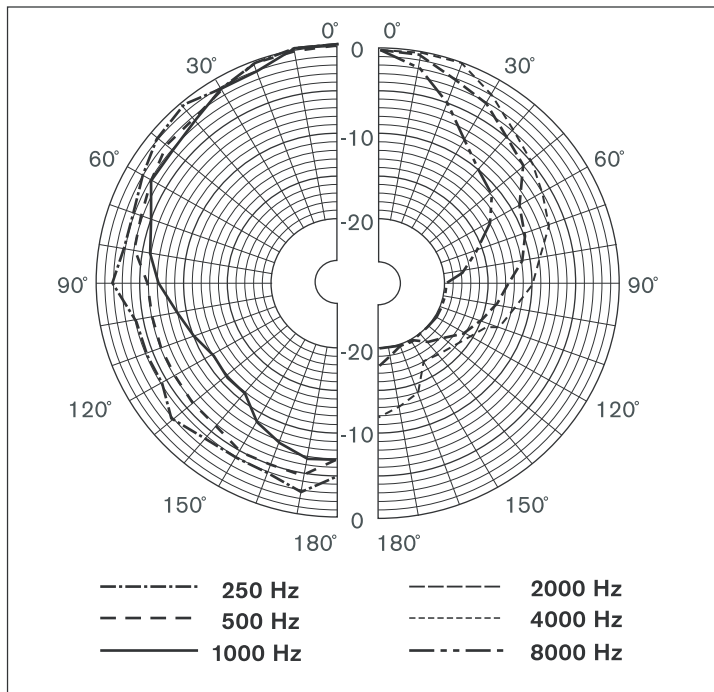
Dimensions of LB1-CW06-D, LB1-CW06-L (in mm)



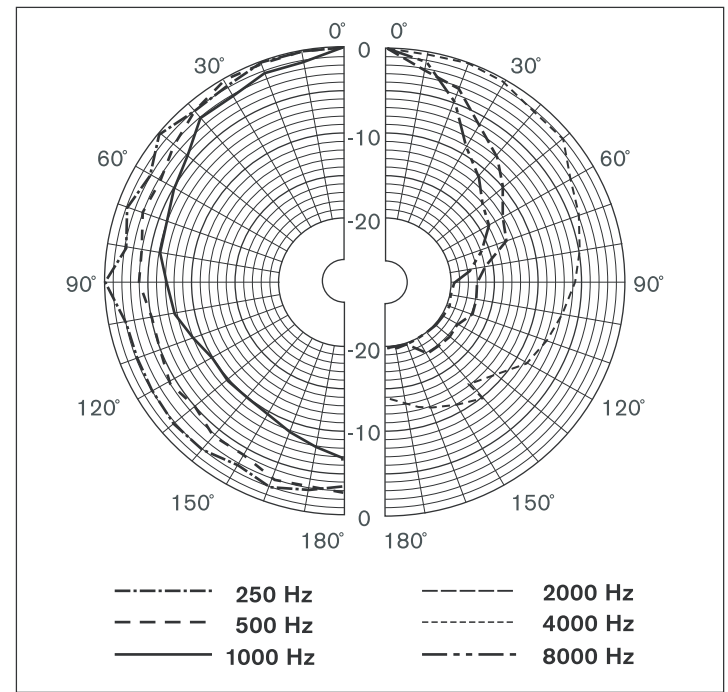
Circuit diagram of LB1-CW06-D, LB1-CW06-L



Frequency response(LB1-CW06)



Polar diagram horizontal (measured with pink noise)



Polar diagram vertical (measured with pink noise)