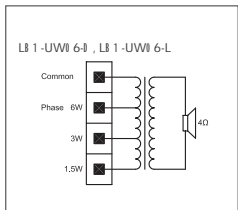


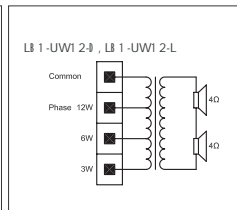
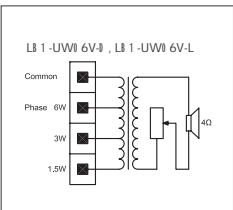
Technical performance data acc. to IEC 60268-5	
LB1-UW06-X	LB1-UW12-D/LB1-UW12-L
LB1-UW06V-X	
Max. power	9 W
Rated power (PHC)	6 W
Sound pressure level	99/91 dB
at rated power/1W (at 1kHz,1m)	104/93 dB
Effective frequency range	180 Hz to 20 kHz
(-10 dB)	160 Hz to 20 kHz
Opening angle (at 1kHz)	
Horizontal	165/95
Vertical	150/72
Rated voltage	100V
Rated impedance	1667 Ohm
Size of speaker	5.25" (1 x)
Magnet weight	2.80 z
Ambient temperature range	-25 to 55 C
Safety	EN 60065
Connection	4-pole - pu s h-in te rmin al blo c k-pole - pu s h-in te rmin al blo c k
Dimension(HxWxD)	243x151x141/119
Colour	441x151x150/111
Cabinet/front	Mathe s RAL 9010
Cabinet/front	/RAL 7044 (-L)
Cabinet/front	Mathe s RAL 9004
Cabinet/front	/RAL 9004 (-D)
Weight	0.9kg
	2.5kg

Type number overview :

- LB 1 -UW0 6-D 6W cabinet (black)
- LB 1 -UW0 6-L 6W cabinet (white)
- LB 1 -UW0 6V-D 6W cabinet with volume control (black)
- LB 1 -UW0 6V-L 6W cabinet with volume control (white)
- LB 1 -UW1 2-D 12W cabinet (black)
- LB 1 -UW1 2-L 12W cabinet (white)



Circuit diagram of LB 1-UW0 6-X, LB 1-UW0 6V-X

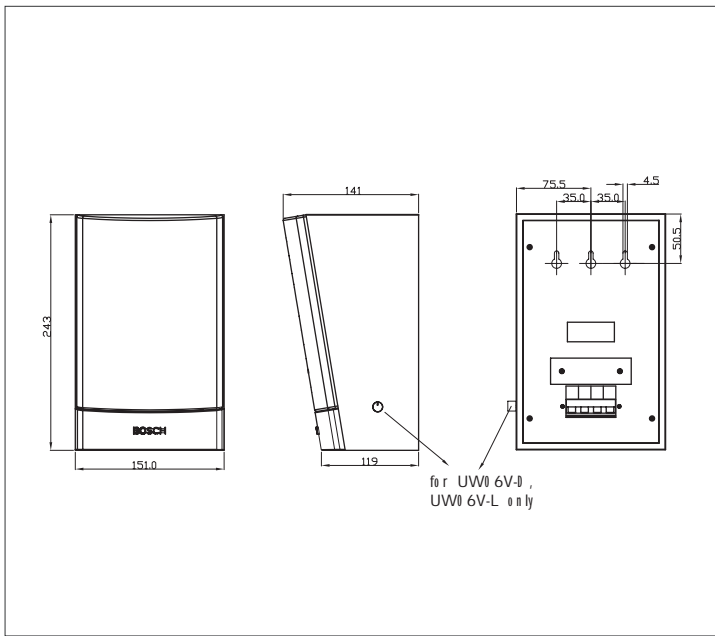


Circuit diagram of LB 1-UW1 2-X

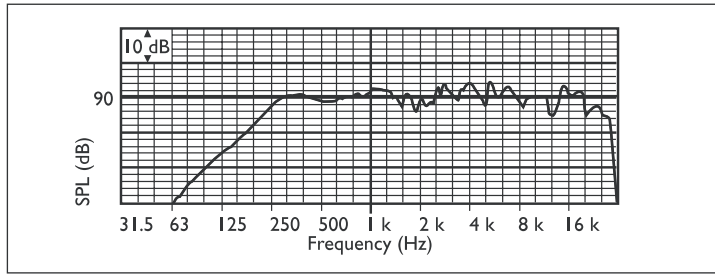
Cabinet Loudspeaker



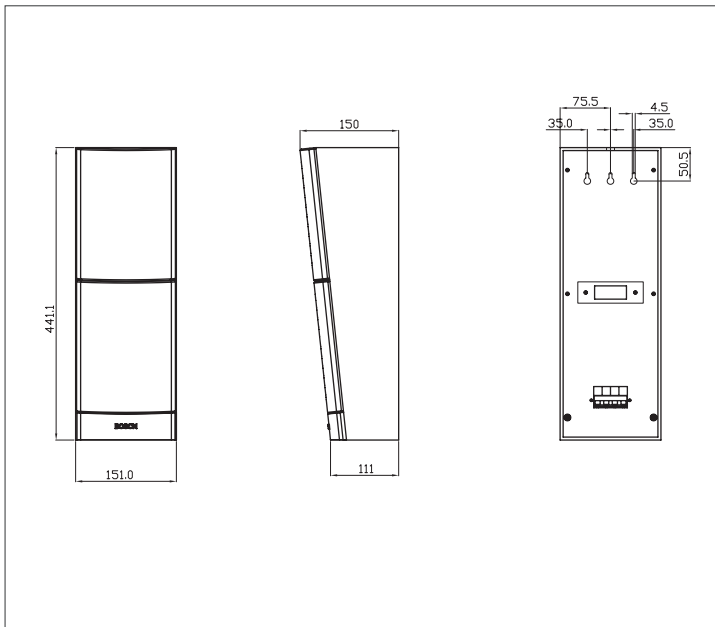
EN Instructions for use
LB 1-UW0 6-X, LB 1-UW0 6V-X
LB 1-UW1 2-D, LB 1-UW1 2V-L



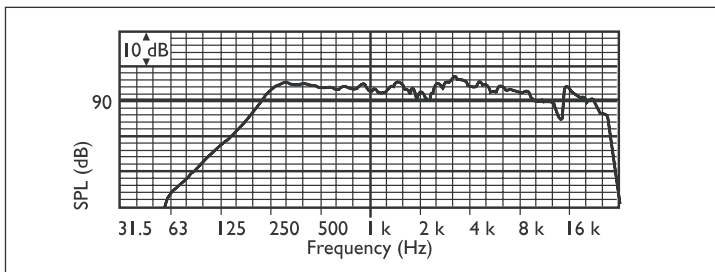
Dimensions of LB 1-UW0 6-X, LB 1-UW0 6V-X (in mm)



Frequency response (LB 1-UW0 6)

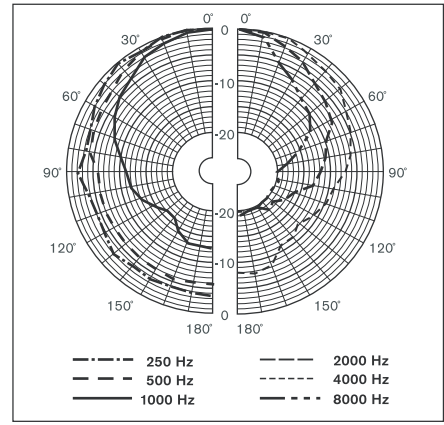


Dimensions of LB 1-UW1 2-D, LB 1-UW1 2-L (in mm)

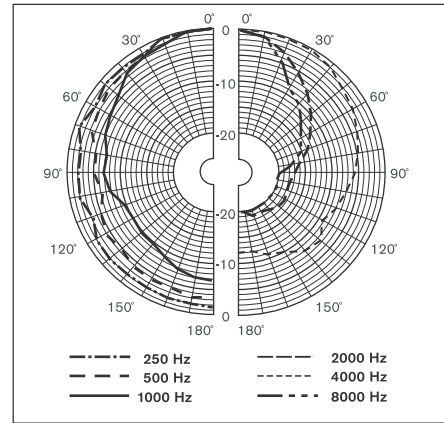


Frequency response (LB 1-UW1 2)

LB 1-UW0 6-X/LB 1-UW0 6V-X

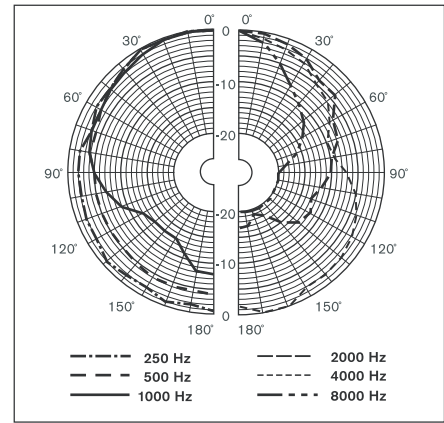


Polar diagram horizontal (measured with pink noise)

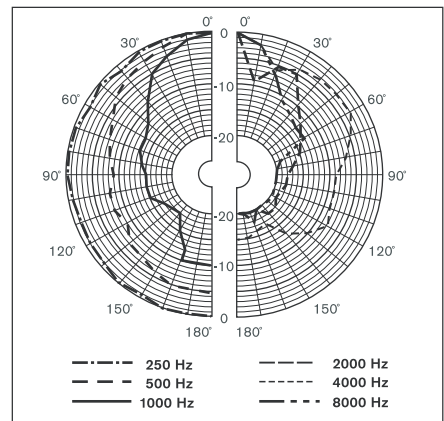


Polar diagram vertical (measured with pink noise)

LB 1-UW1 2-D / LB 1-UW1 2-L



Polar diagram horizontal (measured with pink noise)



Polar diagram vertical (measured with pink noise)