

LA1-UW24-x Column Loudspeakers

www.boschsecurity.com



BOSCH

Invented for life



- ▶ Good speech intelligibility and background music reproduction
- ▶ For applications where directivity is important
- ▶ High sensitivity
- ▶ Swivel wall-mounting bracket supplied as standard
- ▶ Available in black or white

The LA1-UW24-x is a 24 W, general-purpose, cost-effective column loudspeaker for indoor use where beaming is desirable, such as places of worship, conference venues, meeting rooms, and canteens. A swivel wall-mounting bracket is supplied as standard. The column loudspeaker is available in black and white.

Functions

The robust, solid MDF (Medium Density Fiber board) enclosures are covered with a durable, easy-to-clean vinyl in a choice of black or white. The ABS fronts are covered with fine woven cloth in matching color. These powerful column loudspeakers are fitted with four dual-cone, high-sensitivity, loudspeaker drivers.

Certifications and Approvals

All Bosch loudspeakers are designed to withstand operating at their rated power for 100 hours in accordance with IEC 268-5 Power Handling Capacity (PHC) standards. Bosch has also developed the Simulated Acoustical Feedback Exposure (SAFE) test to demonstrate that they can withstand two times their rated power for short durations. This ensures extra reliability under extreme conditions, leading to

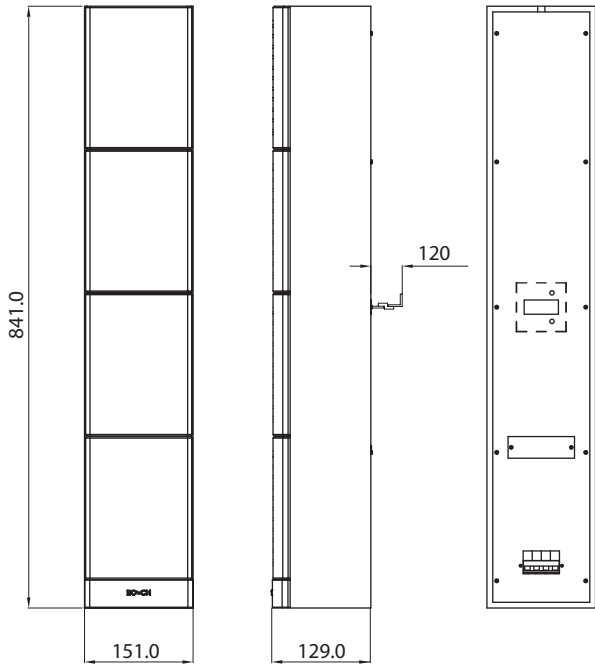
higher customer satisfaction, longer operating life, and much less chance of failure or performance deterioration.

Safety

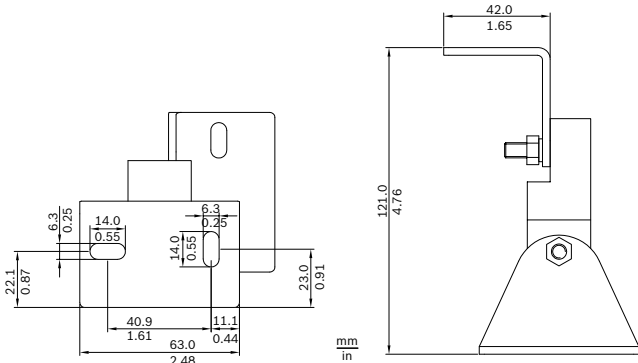
acc. to EN 60065

Installation/Configuration Notes

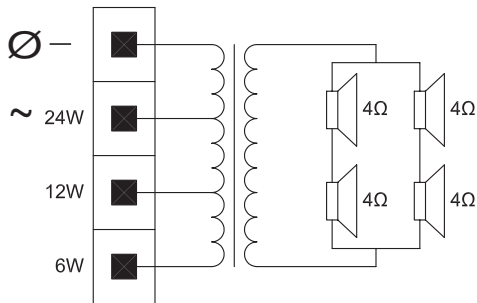
The column loudspeakers can be wall mounted using the supplied swivel bracket, allowing accurate positioning. A convenient, easy-to-use, four-pole push-in terminal block is present on the rear panel for on-site wiring. This terminal block has provision for power tapping on the 100 V, matching transformer in the cabinet. It allows selection of nominal full-power, half-power or quarter-power radiation (in 3 dB steps).



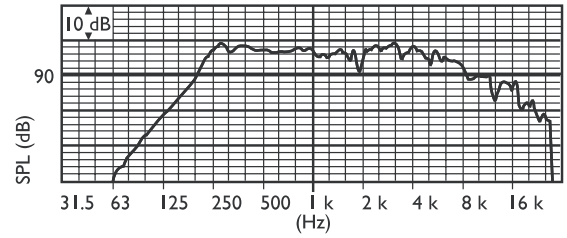
Dimensions in mm



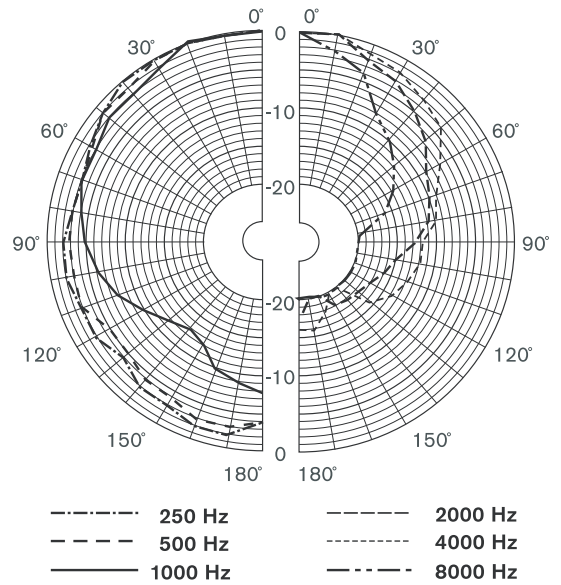
Bracket dimensions



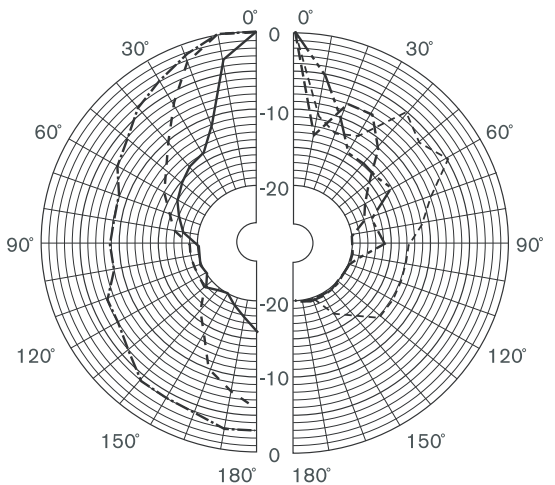
Circuit diagram



Frequency response



Polar diagram horizontal (measured with pink noise)



250 Hz 2000 Hz
500 Hz 4000 Hz
1000 Hz 8000 Hz

Polar diagram vertical (measured with pink noise)

Parts Included

Quantity	Component
1	LA1-UW24-x Column Loudspeaker
1	Swivel wall mounting bracket

Technical Specifications

Electrical*

Maximum power	36 W
Rated power	24 / 12 / 6 W
Sound pressure level at 24 W / 1 W (1 kHz, 1 m)	110 dB / 96 dB (SPL)
Effective frequency range (-10 dB)	165 Hz to 16 kHz
Opening angle	1 kHz / 4 kHz (-6 dB)
horizontal	190° / 88°
vertical	30° / 8°
Rated input voltage	100 V
Rated impedance	417 ohm
Connector	4-pole push-in terminal block

* Technical performance data acc. to IEC 60268-5

Mechanical

Dimensions (H x W x D)	841x 151 x 129 mm (33.1 x 5.9 x 5.1 in)
Weight	5.5 kg (12.1 lb)
Color	Black (D) or white (L)
cabinet / cloth (D)	Matches RAL 9004 / RAL 9004
cabinet / cloth (L)	Matches RAL 9010 / RAL 7044

Environmental

Operating temperature	-25 °C to +55°C (-13 °F to +131 °F)
Storage temperature	-40 °C to +70 °C (-40 °F to +158 °F)
Relative humidity	<95%

Ordering Information

LA1-UW24-D Column Loudspeaker

24 W, black

Order number **LA1-UW24-D**

LA1-UW24-L Column Loudspeaker

24 W, white

Order number **LA1-UW24-L**

Represented by:

Americas:

Bosch Communications Systems
12000 Portland Avenue South
Burnsville, Minnesota 55337, USA
Phone: +1-800-392-3497
Fax: +1-800-955-6831
audiosupport@us.bosch.com
www.boschsecurity.com

Europe, Middle East, Africa:

Bosch Security Systems B.V.
P.O. Box 80002
5600 JB Eindhoven, The Netherlands
Phone: + 31 40 2577 284
Fax: +31 40 2577 330
emea.securitysystems@bosch.com
www.boschsecurity.com

Asia-Pacific:

Robert Bosch (SEA) Pte Ltd
11 Bishan Street 21
Singapore 573943
Phone: +65 6571 2600
Fax: +65 6571 2698
apr.securitysystems@bosch.com
www.boschsecurity.com