

# LC2-PC60G6-8H Premium-sound High Ceiling Loudspeaker 60W

www.boschsecurity.com



**BOSCH**  
Invented for life



- ▶ 8-inch coaxial two-way with dual integrated waveguides
- ▶ Waveguide coupled Ti tweeter
- ▶ Full bandwidth overload protection
- ▶ Front baffle wattage tap adjustment
- ▶ BS 5839-8 and EN 60849 compliant

The LC2-PC60G6-8H is an 8-inch two-way Premium-sound Ceiling Loudspeaker which provides, wide dispersion, high efficiency, high maximum output, ease-of-installation, innovative dual waveguide that provides directivity control to 1 kHz and wide-range reproduction of music and voice. It consists of a baffle/waveguide assembly, grille, back-can enclosure, 8-inch coax two-way loudspeaker and internal output-power matching transformer. The loudspeaker features a waveguide coupled titanium coated dome tweeter. It provides much better music fidelity and speech intelligibility in spaces with high ceiling heights than typical flush units are capable of. The rear enclosure provides an optimum internal volume for extended low frequency performance. The loudspeaker utilizes a second order crossover network at 2.5 kHz, with a comprehensive protection circuit to protect the network, woofer, and tweeter drivers from excessive power levels. The loudspeaker can be installed optionally with the LC2-PC60G6-10 ceiling subwoofer to enhance the low frequency reproduction down to 45 Hz.

## Functions

### Voice alarm loudspeaker

Voice alarm loudspeakers are specifically designed for use in buildings where performance of systems for verbal evacuation announcements is governed by regulations. The LC2-PC60G6-8H is designed for use in voice alarm systems and is compliant with British Standard BS 5839-8 and EN 60849.

### Protection

The loudspeaker has built-in protection to ensure that, in the event of a fire, damage to the loudspeaker does not result in failure of the circuit to which it is connected. In this way, system integrity is maintained; ensuring loudspeakers in other areas can still be used to inform people of the situation. It is standard fitted with a back-can enclosure to increase protection of the cable termination.

The loudspeaker has an emergency compliant ceramic screw-terminal block and thermal fuse.

**Certifications and Approvals**

All Bosch loudspeakers are designed to withstand operating at their rated power for 100 continuous hours in accordance with IEC 268-5 Power Handling Capacity (PHC) standards. Bosch has also developed the Simulated Acoustical Feedback Exposure (SAFE) test to demonstrate that they can withstand two times their rated power for short durations. This ensures improved reliability under extreme conditions, leading to higher customer satisfaction, longer operating life, and lessens the chance of failure or performance deterioration.

Safety	according to EN 60065
Emergency	according to BS 5839-8 / EN 60849
Region	Certification
Europe	CE

**Installation/Configuration Notes**

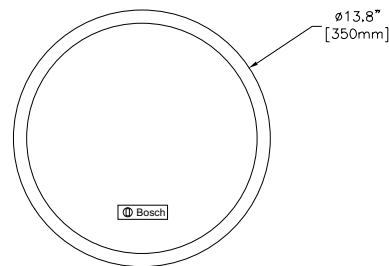
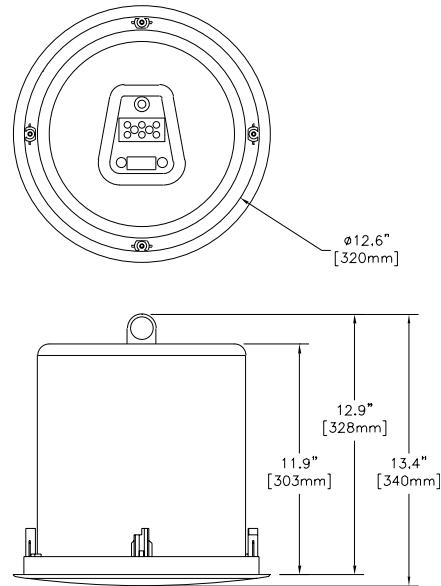
**Mounting**

The loudspeaker is secured in ceilings using four integral toggle anchors, and has been designed to work together in a wide range of different ceiling constructions. A tile bridge / C-ring is included for safe suspension in a drop ceiling that uses mineral wool, or other fiber-based ceiling tiles from 4 to 25 mm (0.16 to 1.0 in.) thick.

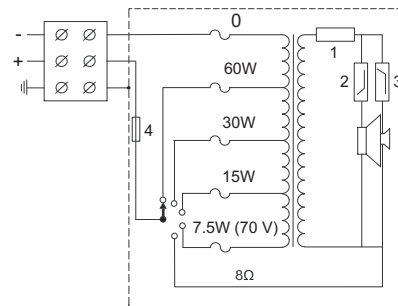
A circular template for marking a 322 mm (12.625 in.) diameter hole is included with the loudspeaker.

**Power setting**

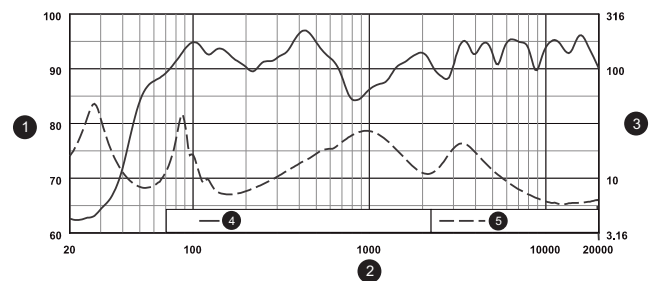
The unit has a three-way emergency compliant ceramic terminal block with screw connections (including earth) suitable for loop-through wiring. Three 100 V, and four 70 V, primary taps are provided on the matching transformer to allow selection of nominal full-power, half-power, quarter-power, eighth-power radiation (in 3 dB steps) and eight ohm. Selection is done via a convenient switch on the front baffle.



Dimensions in Inch / [mm]



Circuit diagram (1: Passive Limiter, 2: Low Pass Filter, 3: High Pass Filter, 4: Thermal fuse)

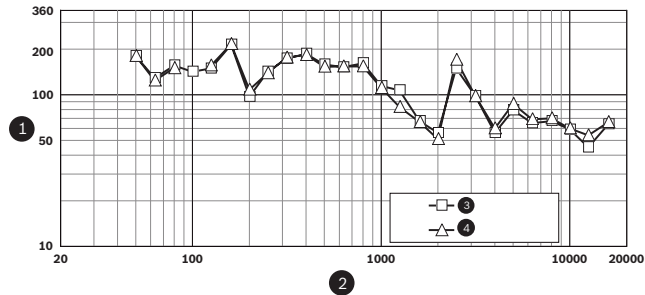


1	SPL, 1W/1m (dB)
2	Frequency (Hz)

### 3 | LC2-PC60G6-8H Premium-sound High Ceiling Loudspeaker 60W

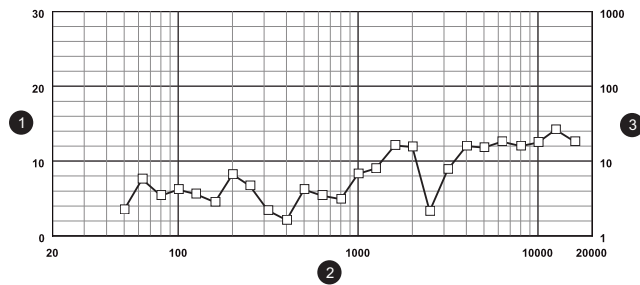
3	Impedance (Ohms)
4	Frequency Response, half space
5	Impedance

#### Frequency response



1	-6dB Beam width (degrees)
2	Frequency (Hz)
3	Horizontal
4	Vertical

#### Beam width



1	Directivity Index (DI), dB
2	Frequency (Hz)
3	Directivity Factor (Q)

#### Directivity

#### Parts Included

Quantity	Components
1	LC2-PC60G6-8H Premium-sound Ceiling Loudspeaker
1	322 mm (12.625 in.) circular cut-out template
1	Tile bridge / C-ring
1	Paint shield
1	Installation instruction

#### Technical Specifications

##### Electrical

Maximum power	75 W
Rated power	60 / 30 / 15 / (7.5 W only, 70 V).

Sound pressure level at 60 W / 1 W (1 kHz, 1 m)	111 / 93 dB (SPL)
Effective frequency range (-10 dB)	50 Hz to 20 kHz
Coverage (conical)	75° (above 1kHz)
Rated voltage	70 V or 100 V
Rated impedance	83 or 167 or 8 ohm
LF transducer	200 mm (8 in.) Polypropylene cone
HF transducer	25 mm (1 in.) Ti Mylar laminate
Connector	3-pole ceramic screw terminal block

##### Mechanical

Diameter	350 mm (13.8 in)
Maximum depth	303 mm (11.9 in)
Ceiling thickness	4 to 25 mm (0.16 to 1.00 in.)
Mounting cut-out	322 + 5 mm (10.75 + 0.20 in.)
Material	
Baffle	ABS (UL94V0)
Back-can	Zinc-plated steel
Grille	Powder coated steel
Weight	6 kg (13.2 lb)
Color	White (RAL 9010)

##### Environmental

Operating temperature	-25 °C to +55 °C (-13 °F to +131 °F)
Storage temperature	-40 °C to +70 °C (-40 °F to +158 °F)
Relative humidity	<95%

#### Ordering Information

##### LC2-PC60G6-8H Premium-sound High Ceiling Loudspeaker 60W

60 W, 8-inch two-way with dual integrated waveguides loudspeaker (packing include 2 pieces)  
Order number **LC2-PC60G6-8H**

**Represented by:**

**Americas:**

Bosch Communications Systems  
12000 Portland Avenue South  
Burnsville, Minnesota 55337, USA  
Phone: +1-800-392-3497  
Fax: +1-800-955-6831  
audiosupport@us.bosch.com  
www.boschsecurity.com

**Europe, Middle East, Africa:**

Bosch Security Systems B.V.  
P.O. Box 80002  
5600 JB Eindhoven, The Netherlands  
Phone: + 31 40 2577 284  
Fax: +31 40 2577 330  
emea.securitysystems@bosch.com  
www.boschsecurity.com

**Asia-Pacific:**

Robert Bosch (SEA) Pte Ltd  
11 Bishan Street 21  
Singapore 573943  
Phone: +65 6571 2600  
Fax: +65 6571 2698  
apr.securitysystems@bosch.com  
www.boschsecurity.com