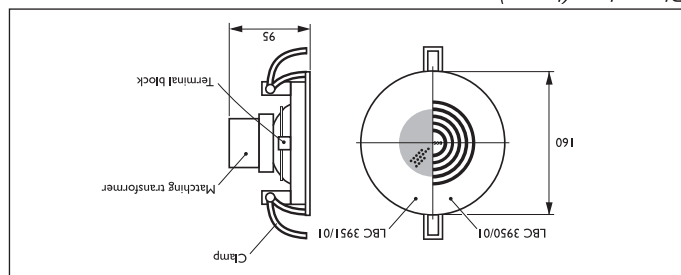
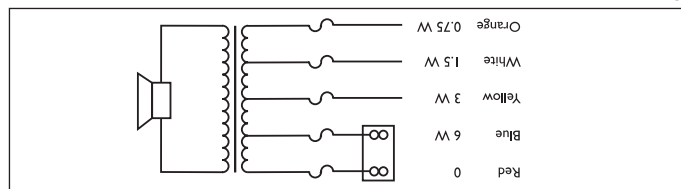


Dimensions (in mm)



Circuit diagram



Max power (PHC)  
 Rated power level at 6 W/1 W (at 1 kHz, 1 m)  
 Sound pressure level at 6 W/1 W (-10 dB)  
 Effective frequency range (-10 dB) 60 Hz to 18 kHz  
 Opening angle (at 1 kHz, -6 dB) 180°  
 Rated voltage 100 V  
 Rated impedance 1667W  
 Ambient temperature range -15 to +50 °C  
 Safety acc. to IEC 65  
 Connection 2-way terminal block  
 Dimensions max. depth 95 mm  
 dia. 160 mm  
 Mounting cut-out ceiling thickness 9 - 25 mm  
 Colour off-white (RAL 9010)  
 Weight 690 g (670 g)\*

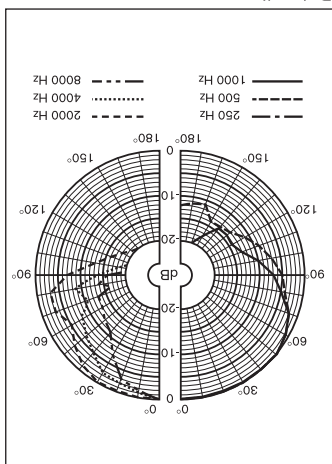
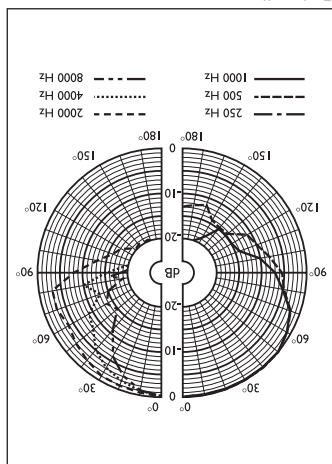
**TECHNICAL PERFORMANCE DATA ACC. TO IEC 268-5**

LBC 395x/01

\* LBC 3951/01

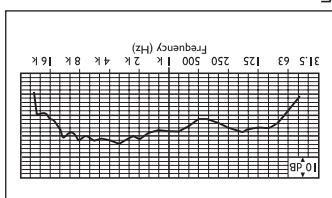
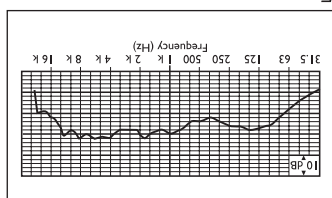
Polar diagram

Polar diagram



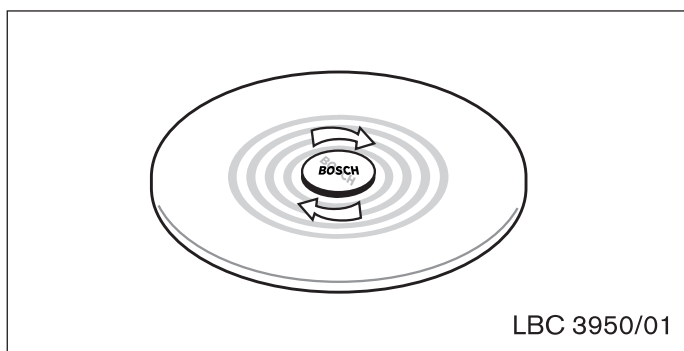
Frequency response

Frequency response

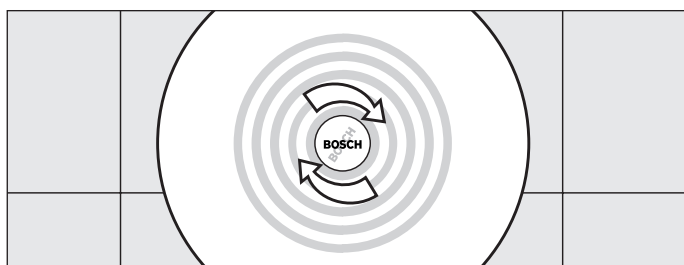


LBC 3951/01

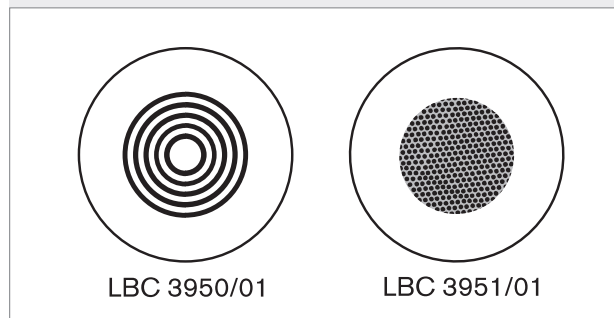
LBC 3950/01



LBC 3950/01



Loudspeakers



LBC 3950/01

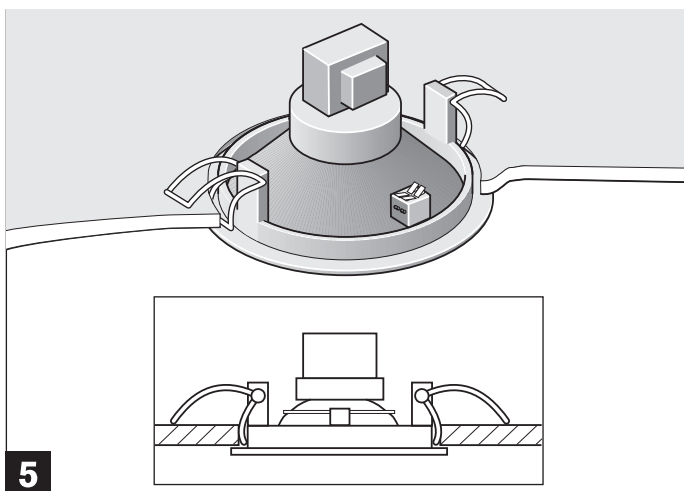
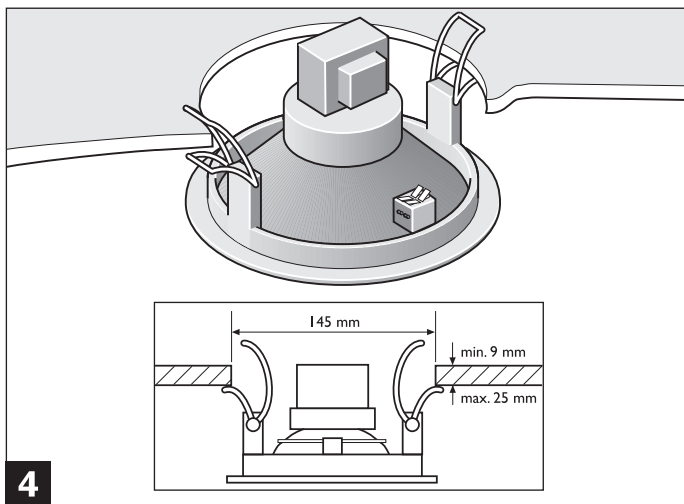
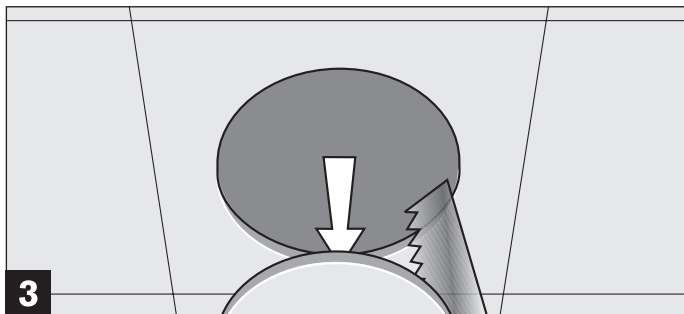
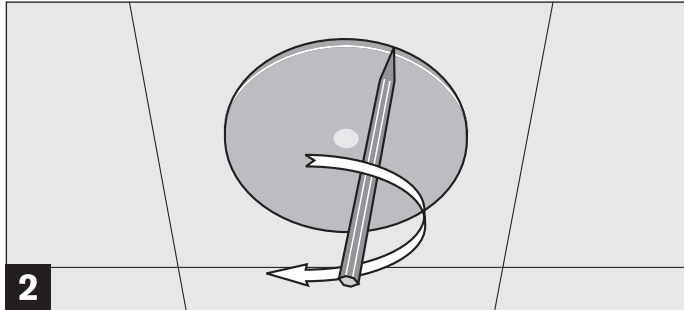
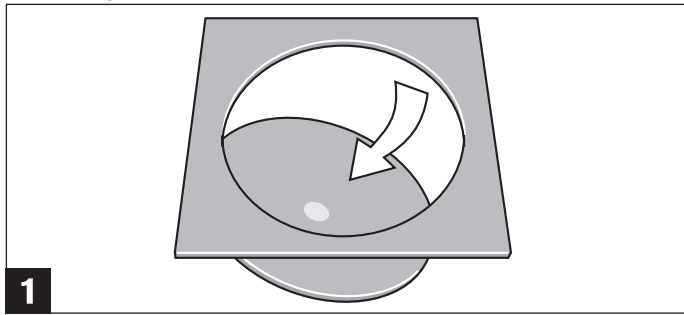
LBC 3951/01



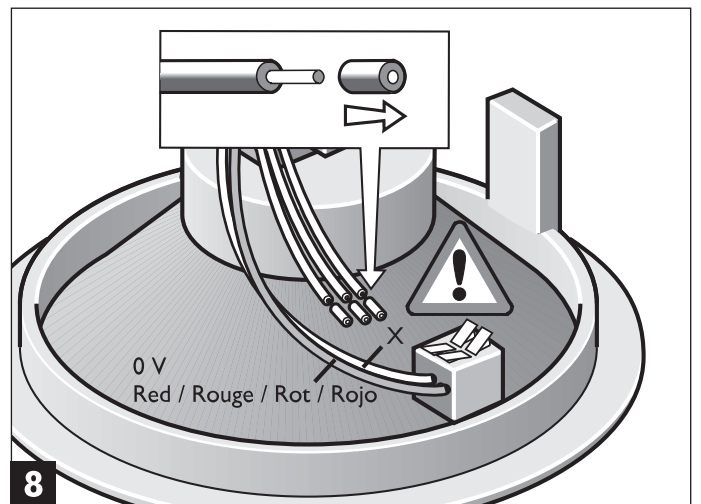
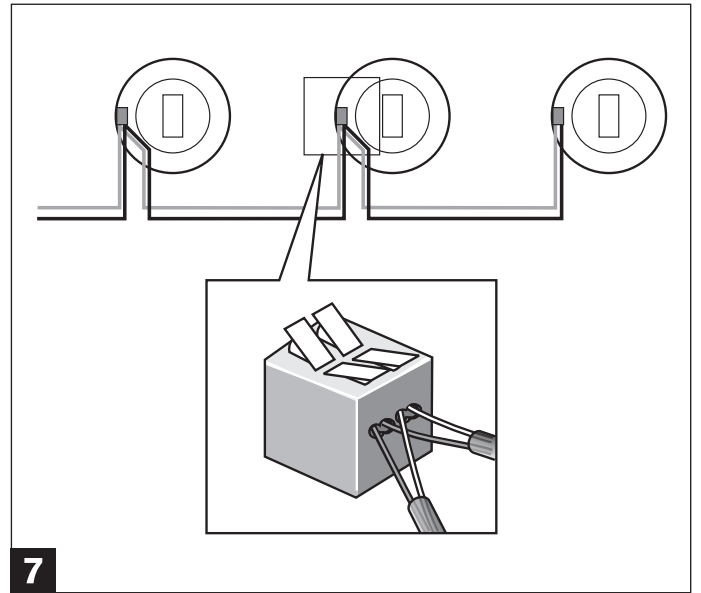
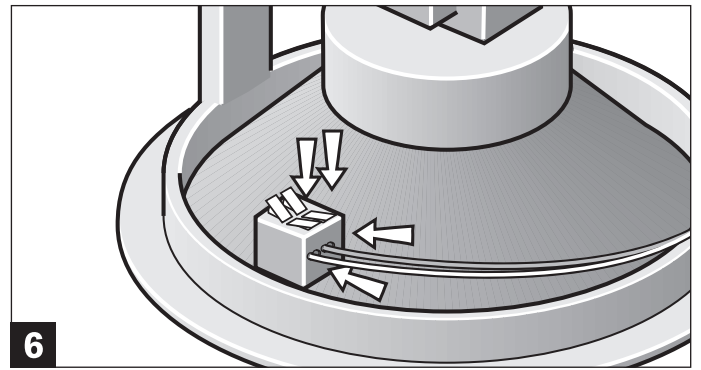
Security Systems

Instructions for use  
 LBC 3950/01  
 EN LBC 3951/01

## Mounting



## Connection



				X	
Blue	Bleu	Blau	Azul		6 W
Yellow	Jaune	Gelb	Amarillo		3 W
White	Blanc	Weiß	Blanco		1.5 W
Orange	Orange	Orange	Naranja		0.75 W

