

# LBC 340x/16 Horn Loudspeakers

www.boschsecurity.com



**BOSCH**  
Invented for life



- ▶ Excellent acoustic properties
- ▶ Choice of driver units
- ▶ Water and dust protected to IP 65
- ▶ Versatile mounting bracket
- ▶ UV light resistant

The Bosch professional horn loudspeaker system allows a range of different driver units to be installed into the various horns. The system includes four horns, three circular types with aperture diameters of 255, 380 and 510 mm and a rectangular model with an opening measuring 390 x 235 mm.

## Functions

The drivers (ordered separately) are mounted inside the horn, and the connection cable is fed out through a cable gland in the cover plate. This makes the loudspeaker horn/driver unit splash-waterproof, and therefore ideal for outdoor sound reinforcement applications. Three driver units are available, a 15 W, 30 W and a 50 W type for 100 V lines only. See separate datasheet.

In the construction of the horns, maximum use has been made of standard parts in a modular concept. The screw thread for securing the driver units is a standard 1 3/8-inch thread (1 3/8" - 18 UNEF-2A). The shape of the cover plate gives the horns a distinctive and easily recognizable style.

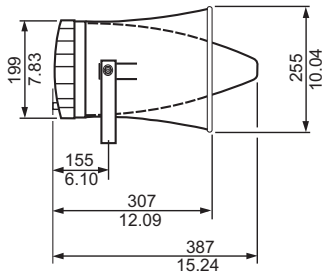
The cover plates have provision on their inside face for mounting the optional line/loudspeaker supervision board (and for mounting the emergency Connection Adapter).

There is also an extra knock-out hole to enable loop-through cabling (if loop-through is used, an extra optional cable gland PG 13.5 must be fitted). They are made from flame-retardant, high-impact plastic combining strength with low weight. This rugged material is resistant to ultraviolet light, aggressive environments and most industrial chemicals. The horns (incl. brackets) are finished in light grey. The sturdy steel mounting bracket (ST 37-2 DIN 1652) allows easy mounting and directing of the horn.

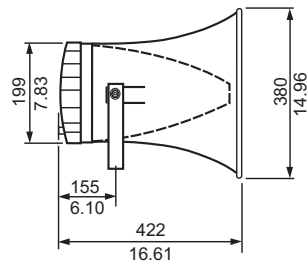
## Certifications and Approvals

Water and dust protection	acc. to IEC 60529, IP 65 (all models)
Self-extinguishing	acc. to UL 94 Vo

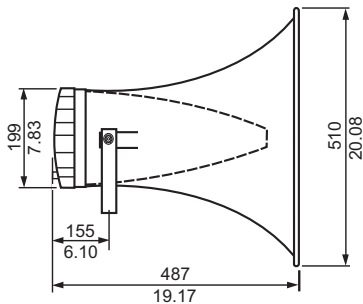
**Installation/Configuration Notes**



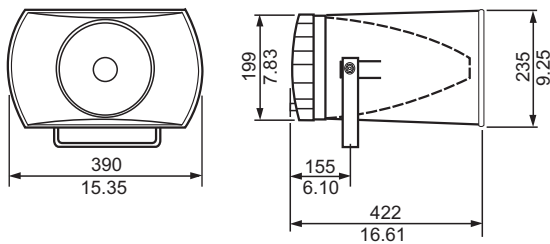
LBC 3403/16 Dimensions in mm (in)



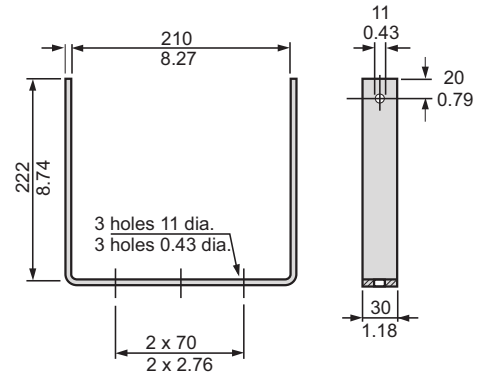
LBC 3404/16 Dimensions in mm (in)



LBC 3405/16 Dimensions in mm (in)



LBC 3406/16 Dimensions in mm (in)



All models mounting bracket dimensions in mm (in)

**Ordering Information**

**LBC 3403/16 Horn, Circular, 10" without Driver**  
 diameter = 255 mm (10.04 in)  
 Order number **LBC3403/16**

**LBC 3404/16 Horn, Circular, 15" without Driver**  
 diameter = 380 mm (14.96 in)  
 Order number **LBC3404/16**

**LBC 3405/16 Horn, Circular, 20" without Driver**  
 diameter = 510 mm (20.08 in)  
 Order number **LBC3405/16**

**LBC 3406/16 Horn, Rectangular, 9 x 15" without Driver**  
 diameter = 235 x 390 mm (9.25 x 15.35 in)  
 Order number **LBC3406/16**

**Accessories**





**LBC 1256/00 EVAC Connection Adapter**  
 3-pole screw connector, 100 pieces  
 Order number **LBC1256/00**

**LBN 9000/00 Driver Unit, 15 W**  
 100 V, 22.5 / 15 W max / rated power (PHC)  
 Order number **LBN9000/00**

**LBN 9001/00 Driver Unit, 30 W**  
 100 V, 45 / 30 W max / rated power (PHC)  
 Order number **LBN9001/00**

**LBN 9003/00 Driver Unit, 50 W**  
 100 V, 75 / 50 W max / rated power (PHC)  
 Order number **LBN9003/00**

## LBC 340x/16 Horn Loudspeakers

	LBC 3403/16 Horn, Circular, 10" without Driver	LBC 3404/16 Horn, Circular, 15" without Driver	LBC 3405/16 Horn, Circular, 20" without Driver	LBC 3406/16 Horn, Rectangular, 9 x 15" without Driver
				
<b>Electrical</b>				
Sound pressure level at rated power/1 W (1 kHz, 1 m) with driver: LBN 9000/00 LBN 9001/00 LBN 9003/00	121 / 109 dB (SPL) 125 / 110 dB (SPL) 127 / 110 dB (SPL)	124 / 112 dB (SPL) 128 / 113 dB (SPL) 130 / 113 dB (SPL)	125 / 113 dB (SPL) 129 / 114 dB (SPL) 132 / 115 dB (SPL)	122 / 110 dB (SPL) 127 / 112 dB (SPL) 129 / 112 dB (SPL)
Eff. frequency range (-10 dB) with driver: LBN 9000/00 LBN 9001/00 LBN 9003/00	400 Hz to 7 kHz 350 Hz to 6 kHz 380 Hz to 10 kHz	400 Hz to 9 kHz 300 Hz to 8.5 kHz 350 Hz to 10 kHz	400 Hz to 9 kHz 300 Hz to 8 kHz 350 Hz to 9 kHz	350 Hz to 6.5 kHz 300 Hz to 8 kHz 380 Hz to 10 kHz
Opening angle at 1 kHz/4 kHz (-6 dB)	90° / 30°	70° / 25°	60° / 35°	100° / 35° horizontal 65° / 30° vertical
<b>Mechanical</b>				
Dimensions (L x D)	387 x 255 mm (15.25 x 10.47 in)	422 x 380 mm (16.63 x 14.97 in)	487 x 510 mm (19.19 x 20.09 in)	422 x (390 x 235) mm (16.63 x (15.37 x 9.26) in)
Weight (without driver)	2.94 kg (6.48 lb)	3.34 kg (7.36 lb)	3.54 kg (7.80 lb)	3.14 kg (6.92 lb)
Color	light grey (RAL 7035)	light grey (RAL 7035)	light grey (RAL 7035)	light grey (RAL 7035)
Cable diameter	6 to 10.5 mm (0.24 to 0.41 in)	6 to 10.5 mm (0.24 to 0.41 in)	6 to 10.5 mm (0.24 to 0.41 in)	6 to 10.5 mm (0.24 to 0.41 in)
<b>Environmental</b>				
Operating temperature	-25° to +55°C (-13° to 131°F)	-25° to +55°C (-13° to 131°F)	-25° to +55°C (-13° to 131°F)	-25° to +55°C (-13° to 131°F)
Storage temperature	-40 to +70 °C (-40 to +158 °F)	-40 to +70 °C (-40 to +158 °F)	-40 to +70 °C (-40 to +158 °F)	-40 to +70 °C (-40 to +158 °F)
Relative humidity	<95%	<95%	<95%	<95%

## Represented by:

**Americas:**

Bosch Communications Systems  
12000 Portland Avenue South  
Burnsville, Minnesota 55337, USA  
Phone: +1-800-392-3497  
Fax: +1-800-955-6831  
audiosupport@us.bosch.com  
www.boschsecurity.com

**Europe, Middle East, Africa:**

Bosch Security Systems B.V.  
P.O. Box 80002  
5600 JB Eindhoven, The Netherlands  
Phone: + 31 40 2577 284  
Fax: +31 40 2577 330  
emea.securitysystems@bosch.com  
www.boschsecurity.com

**Asia-Pacific:**

Robert Bosch (SEA) Pte Ltd  
11 Bishan Street 21  
Singapore 573943  
Phone: +65 6571 2600  
Fax: +65 6571 2698  
apr.securitysystems@bosch.com  
www.boschsecurity.com