

LBC 340x/15 Horn Loudspeakers

www.boschsecurity.com



BOSCH
Invented for life



- ▶ Excellent acoustic properties
- ▶ Choice of driver units
- ▶ Water- and dust protected to IP 65
- ▶ Versatile mounting bracket
- ▶ UV light resistant

The Bosch professional horn loudspeaker system allows a range of different driver units to be installed into the various horns. The system includes four horns, three circular types with aperture diameters of 255, 380 and 510 mm (10.04, 14.96, and 20.08 in) and a rectangular model with an opening measuring 390 x 235 mm (15.35 x 9.25 in).

Functions

The drivers (ordered separately) are mounted inside the horn, and the connection cable is fed out through a cable gland in the cover plate. This makes the loudspeaker horn/driver unit splash-waterproof, and therefore ideal for outdoor sound reinforcement applications. Three driver units are available, a 15 W, 30 W and a 50 W type for 100 V lines only. See separate datasheet.

In the construction of the horns, maximum use has been made of standard parts in a modular concept. The screw thread for securing the driver units is a standard 1 3/8-inch thread (1 3/8" - 18 UNEF-2A). The shape of the cover plate gives the horns a distinctive and easily recognizable style.

The cover plates have provision on their inside face for mounting the optional line/loudspeaker supervision board.



Notice

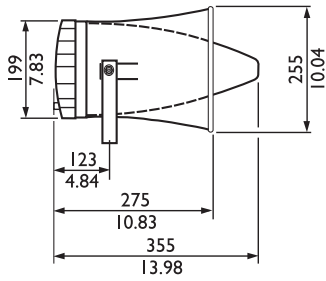
The 50 W driver cannot be used in horns where a line/loudspeaker supervision board is installed.

They are made from flame retardant high-impact Polystyrene (PS) material combining strength with low weight. This rugged material is resistant to ultraviolet light, aggressive environments and most industrial chemicals. The horns (incl. brackets) are finished in light grey. The sturdy steel mounting bracket (st 37-2 DIN 1652) allows easy mounting and directing of the horn.

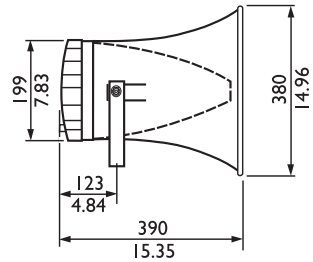
Certifications and Approvals

Water and dust protected	acc. to IEC 60529, IP 65 (all models)
Self-extinguishing	acc. to UL 94 Vo
Region	Certification
Europe	CE Declaration of Conformity

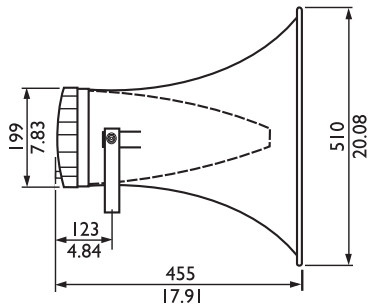
Installation/Configuration Notes



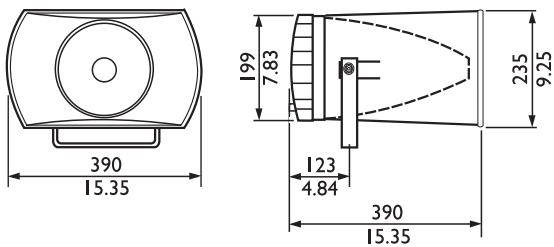
LBC 3403/15 Dimensions in mm (in)



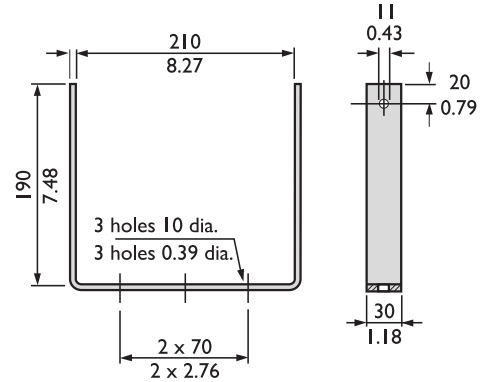
LBC 3404/15 Dimensions in mm (in)



LBC 3405/15 Dimensions in mm (in)



LBC 3406/15 Dimensions in mm (in)



All models mounting bracket dimensions in mm (in)

Ordering Information

LBC 3403/15 Horn, Circular, 10" without Driver
 diameter = 255 mm
 Order number **LBC3403/15**

LBC 3404/15 Horn, Circular, 15" without Driver
 diameter = 380 mm
 Order number **LBC3404/15**

LBC 3405/15 Horn, Circular, 20" without Driver
 diameter = 510 mm
 Order number **LBC3405/15**

LBC 3406/15 Horn, Rectangular, 8 x 15" without Driver
 diameter = 235 x 390 mm
 Order number **LBC3406/15**

Accessories

LBN 9000/00 Driver Unit, 15 W
 100 V, 22.5 / 15 W max / rated power (PHC)
 Order number **LBN9000/00**

LBN 9001/00 Driver Unit, 30 W
 100 V, 45 / 30 W max / rated power (PHC)
 Order number **LBN9001/00**

LBN 9003/00 Driver Unit, 50 W
 100 V, 75 / 50 W max / rated power (PHC)
 Order number **LBN9003/00**

LBC 340x/15 Horn Loudspeakers

	LBC 3403/15 Horn, Circular, 10" without Driver	LBC 3404/15 Horn, Circular, 15" without Driver	LBC 3405/15 Horn, Circular, 20" without Driver	LBC 3406/15 Horn, Rectangular, 8 x 15" without Driver
Electrical				
Sound pressure level at rated power/1 W (1 kHz, 1 m) with driver: LBN 9000/00 LBN 9001/00 LBN 9003/00	121 / 109 dB (SPL) 125 / 110 dB (SPL) 127 / 110 dB (SPL)	124 / 112 dB (SPL) 128 / 113 dB (SPL) 130 / 113 dB (SPL)	125 / 113 dB (SPL) 129 / 114 dB (SPL) 132 / 115 dB (SPL)	122 / 110 dB (SPL) 127 / 112 dB (SPL) 129 / 112 dB (SPL)
Eff. frequency range (-10 dB) with driver: LBN 9000/00 LBN 9001/00 LBN 9003/00	400 Hz to 7 kHz 350 Hz to 6 kHz 380 Hz to 10 kHz	400 Hz to 9 kHz 300 Hz to 8.5 kHz 350 Hz to 10 kHz	400 Hz to 9 kHz 300 Hz to 8 kHz 350 Hz to 9 kHz	350 Hz to 6.5 kHz 300 Hz to 8 kHz 380 Hz to 10 kHz
Opening angle at 1 kHz/4 kHz (-6 dB)	90° / 30°	70° / 25°	60° / 35°	100° / 35° horizontal 65° / 30° vertical
Mechanical				
Dimensions (L x D)	355 x 255 mm	390 x 380 mm	455 x 510 mm	390 x (390 x 235) mm
Weight (without driver)	2.4 kg	2.8 kg	3 kg	2.6 kg
Color	light grey (RAL 7035)	light grey (RAL 7035)	light grey (RAL 7035)	light grey (RAL 7035)
Environmental				
Operating temperature	-25° to +55°C (-13° to 131°F)	-25° to +55°C (-13° to 131°F)	-25° to +55°C (-13° to 131°F)	-25° to +55°C (-13° to 131°F)
Storage temperature	-40 to +70 °C (-40 °F to +158 °F)	-40 to +70 °C (-40 °F to +158 °F)	-40 to +70 °C (-40 °F to +158 °F)	-40 to +70 °C (-40 °F to +158 °F)
Relative humidity	<95%	<95%	<95%	<95%

Represented by:

Americas:

Bosch Communications Systems
12000 Portland Avenue South
Burnsville, Minnesota 55337, USA
Phone: +1-800-392-3497
Fax: +1-800-955-6831
audiosupport@us.bosch.com
www.boschsecurity.com

Europe, Middle East, Africa:

Bosch Security Systems B.V.
P.O. Box 80002
5600 JB Eindhoven, The Netherlands
Phone: + 31 40 2577 284
Fax: +31 40 2577 330
emea.securitysystems@bosch.com
www.boschsecurity.com

Asia-Pacific:

Robert Bosch (SEA) Pte Ltd
11 Bishan Street 21
Singapore 573943
Phone: +65 6571 2600
Fax: +65 6571 2698
apr.securitysystems@bosch.com
www.boschsecurity.com