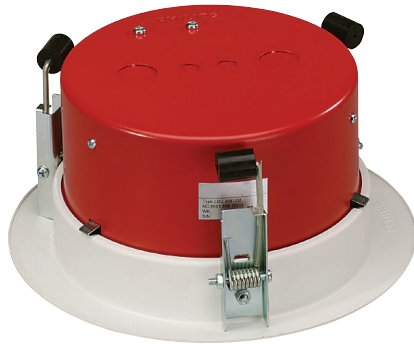




LBC 3081/02 Fire Dome

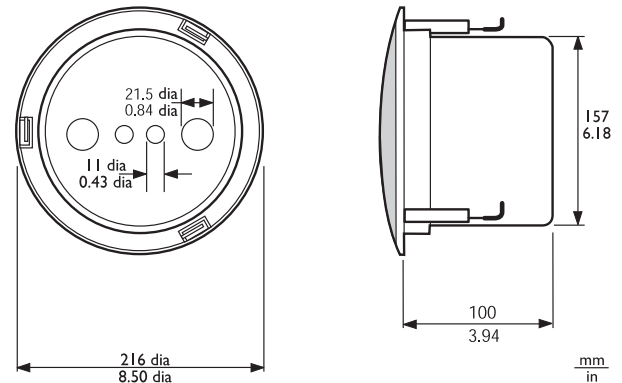


During a fire, the ceiling cavity in which loudspeakers are installed can allow flames to spread throughout a building. To prevent fire entering the cavity via the loudspeaker, the ceiling loudspeaker can be fitted with a steel fire dome (LBC 3081/02). This optional fire dome is clicked into the mounting-ring via three leaf springs, before the loudspeaker is inserted. For extra convenience, a safety cord from the fire dome allows the installer to temporarily hang the loudspeaker unit during installation. This cord also provides reassurance after installation. The fire-dome has knockout holes for two grommets (supplied) and two cable glands (PG 13).

This fire dome can only be used with the LBC 3086/41 Ceiling Loudspeaker.

Note Product photo includes LBC 3086/41

Installation/Configuration Notes



LBC3086/41 + LBC 3081/02 fire dome assembly dimensions in mm (in)

Certifications and Approvals

Region	Certification
Europe	CE Declaration of Conformity

Parts Included

Quantity	Components
1	LBC 3081/02 Fire Dome
1	Safety cord
2	Rubber grommets

Technical Specifications

Mechanical

Dimensions (dia. x max. depth)	157 x 70 mm (6.2 x 2.8 in)
Weight	360 g (0.8 lb)
Color	Flame red (RAL 3000)
Certified B15	Acc. to DIN 4102

Ordering Information

LBC 3081/02 Fire Dome **LBC3081/02**
metal fire dome for LBC 3086/41 ceiling
loudspeaker

Americas:
Bosch Communications Systems
12000 Portland Avenue South
Burnsville, Minnesota 55337, USA
Phone: +1-800-392-3497
Fax: +1-800-955-6831
audiosupport@us.bosch.com
www.boschsecurity.com

Europe, Middle East, Africa:
Bosch Security Systems B.V.
P.O. Box 80002
5600 JB Eindhoven, The Netherlands
Phone: +31 40 2577 284
Fax: +31 40 2577 330
emea.securitysystems@bosch.com
www.boschsecurity.com

Asia-Pacific:
Robert Bosch (SEA) Pte Ltd
11 Bishan Street 21
Singapore 573943
Phone: +65 6571 2600
Fax: +65 6571 2698
apr.securitysystems@bosch.com
www.boschsecurity.com

Represented by