

# LBC 3018/01 Metal Cabinet Loudspeaker

www.boschsecurity.com



**BOSCH**  
Invented for life



- ▶ Suitable for speech and music reproduction
- ▶ Robust metal enclosure
- ▶ Surface and/or recessed mounting
- ▶ Provision for internal mounting of the optional line/loudspeaker supervision boards
- ▶ EN 54-24 certified

The LBC 3018/01 cabinet loudspeaker delivers professional performance from a robust, yet aesthetically designed metal enclosure. It is an ideal loudspeaker for indoor use in offices, schools, car parking, shopping centers and in areas where vandalism is a potential hazard.

The cabinets are equipped with a high efficiency, dual-cone loudspeaker offering a wide frequency range suitable for both speech and music reproduction.

## Functions

Voice alarm loudspeakers are specifically designed for use in buildings, where the performance of PA-systems is subject to official regulations. The LBC 3018/01 is designed for voice alarm systems, and is compliant with the EN 54-24 standard.

The loudspeaker has built-in protection to ensure that, in the event of a fire, damage to the loudspeaker does not result in failure of the circuit to which it is connected. In this way, system integrity is maintained, ensuring loudspeakers in other areas can still be used to inform people of the situation. The loudspeaker has a ceramic terminal block, thermal fuse, and heat-resistant, high-temperature wiring.

The cabinet has a provision for internally mounting the optional line/loudspeaker supervision board.

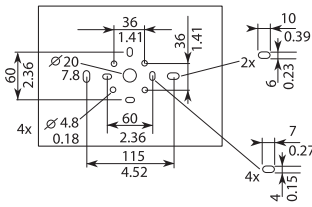
## Certifications and Approvals

All Bosch loudspeakers are designed to withstand operating at their rated power for 100 continuous hours in accordance with IEC 268-5 Power Handling Capacity (PHC) standards. Bosch has also developed the Simulated Acoustical Feedback Exposure (SAFE) test to demonstrate that they can withstand two times their rated power for short durations. This ensures improved reliability under extreme conditions, leading to higher customer satisfaction, longer operating life, and lessens the chance of failure or performance deterioration.

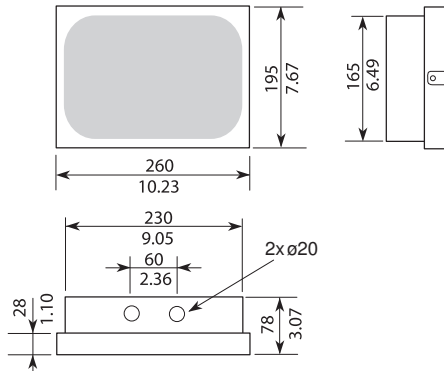
Safety	acc. to EN 60065
Emergency	acc. to EN 54-24, BS 5839-8 and EN 60849
Water and dust protection	acc. to EN60529 IP32

Region	Certification
Europe	CE
Poland	CNBOP

**Installation/Configuration Notes**

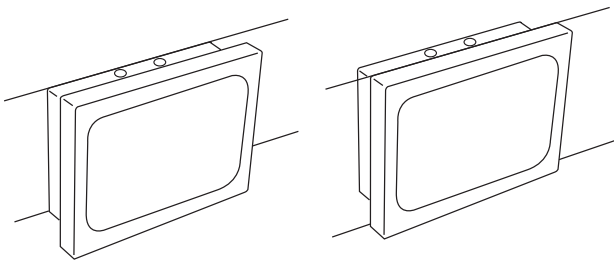


Mounting dimensions in mm (in)

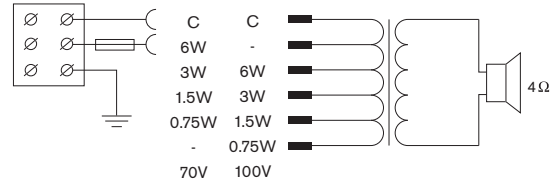


Dimensions in mm (in)

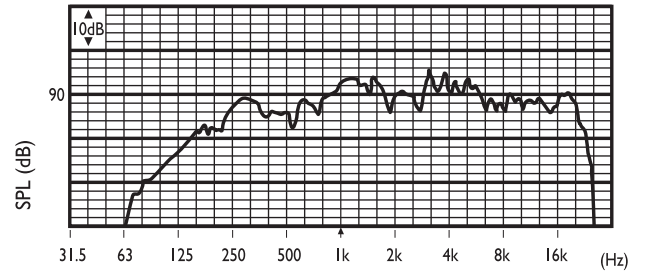
The cabinet is designed for both surface mounting on walls and recessed mounting into brick or concrete walls. The back-box of the cabinet provides a selection of mounting holes, even for mounting onto U40 and MK installation boxes. The back-box has two knockout holes on the topside for two cable glands for loop-through connection. For extra convenience, a safety cord from the back-box lets the installer temporarily hang the front grille unit during installation.



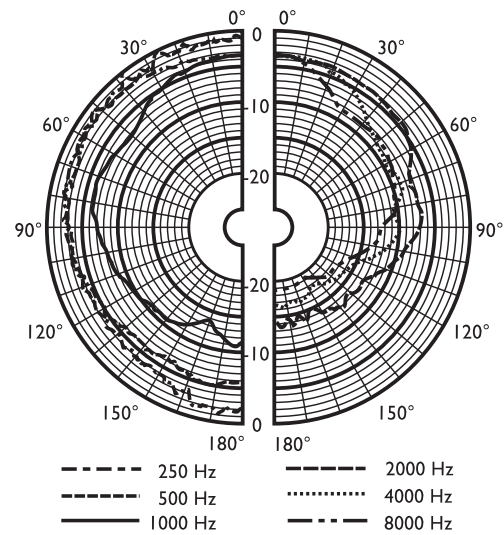
*Surface mounted (left) and recessed (right) mounted*  
 The cabinet has a three-way terminal block with screw connections suitable for loop-through wiring (including earth) Four primary taps are provided on the matching transformer to allow selection of nominal full-power, half-power, quarter-power or eighth power radiation (in 3 dB steps).



Circuit diagram



Frequency response



Polar diagram (measured with pink noise)

	250 Hz	500 Hz	1 kHz	2 kHz	4 kHz	8 kHz
SPL 1.1	84	93	94	97	97	93
SPL max.	92	101	102	105	105	103
Q-factor	2.5	3.3	7.9	8.5	12.9	14.2
Efficiency	0.32	2.2	4	7.1	5.6	2.5
H. angle	180	180	120	85	55	40
V. angle	180	180	80	110	60	35

Acoustical performance specified per octave

**Technical Specifications****Electrical\***

Maximum power	9 W
Rated power (PHC)	6 W
Power tapping	6 / 3 / 1.5 / 0.75 W
Sound pressure level at 6 W / 1 W (1 kHz, 1 m)	102 dB / 94 dB (SPL)
Effective frequency Range (-10 dB)	150 Hz to 20 kHz
Opening angle at 1 kHz / 4 kHz (-6 dB)	120 ° / 55 °
Rated voltage	70/100 V
Rated impedance	835/1667 ohm
Connector	3-pole screw terminal block

\* Technical performance data acc. to IEC 60268-5

**Mechanical**

Dimensions (H x W x D)	195 x 260 x 80 mm (7.68 x 10.24 x 3.15 in)
Weight	2.6 kg (5.78 lb)
Color	White (RAL 9010)
Speaker size	152.4 mm (6 in)
Magnet weight	150 g (5.3 oz)

**Environmental**

Operating temperature	-25 °C to +55 °C (-13 °F to +131 °F)
Storage temperature	-40 °C to +70 °C (-40 °F to +158 °F)
Relative humidity	<95%

Other parameters are available in CNBOP test report nr 4783/BA/10.



1438

Bosch Security Systems BV  
Kapittelweg 10, 4827 HG Breda, The Netherlands  
10  
1438-CPD-0202

EN 54-24:2008

Loudspeaker for voice alarm systems  
for fire detection and fire alarm systems for buildings

Metal Cabinet 6 W  
LBC3018/01  
Type A

**Ordering Information****LBC 3018/01 Metal Cabinet Loudspeaker**

6 W

Order number **LBC3018/01**

**Represented by:**

**Americas:**

Bosch Communications Systems  
12000 Portland Avenue South  
Burnsville, Minnesota 55337, USA  
Phone: +1-800-392-3497  
Fax: +1-800-955-6831  
audiosupport@us.bosch.com  
www.boschsecurity.com

**Europe, Middle East, Africa:**

Bosch Security Systems B.V.  
P.O. Box 80002  
5600 JB Eindhoven, The Netherlands  
Phone: + 31 40 2577 284  
Fax: +31 40 2577 330  
emea.securitysystems@bosch.com  
www.boschsecurity.com

**Asia-Pacific:**

Robert Bosch (SEA) Pte Ltd  
11 Bishan Street 21  
Singapore 573943  
Phone: +65 6571 2600  
Fax: +65 6571 2698  
apr.securitysystems@bosch.com  
www.boschsecurity.com