

Technical performance data acc. to IEC 60268-5	
LA1- UW24	LA1- UW36
Max. power	36W
Rated power (PHC)	24W
Sound pressure level	114 dB/98 dB (SPL)
at rated power / 1W (at 1 kHz, 1 m)	
Effective frequency range	165 Hz to 16 kHz
(-10 dB)	160 Hz to 19 kHz
Opening angle (at 1 kHz/4 kHz, -6 dB)	
Horizontal	190°/88°
Vertical	30°/8°
Rated voltage	100V
Rated impedance	417 Ω
Size of speaker	5.25" (4x)
Magnet weight	2.8 oz
Ambient temperature range	-25 to +55 °C
Safety	acc. to EN 60065
Connection	4-pole-push-in
terminal block	
Dimensions (HxWxD)	841x151x129 mm
Colour	Matches RAL
Cabinet/front	Matches RAL
Cabinet/front	9010/RAL 7044(-L)
	Matches RAL
Weight	5.5kg
	9004/RAL 9004(-D)
	Matches RAL
	9004/RAL 9004(-D)

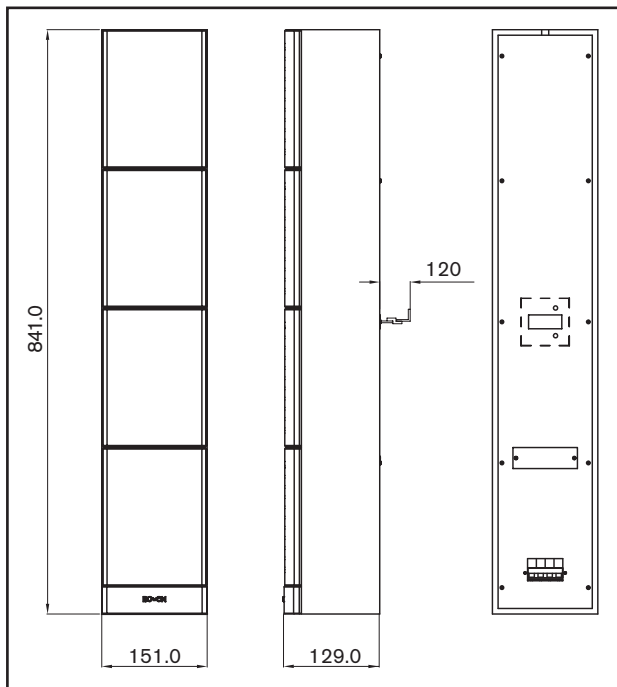
Type number overview:

- LA1- UW24 -D 24W Column loudspeaker (black)
- LA1- UW24 -L 24W Column loudspeaker (white)
- LA1- UW36 -D 36W Column loudspeaker (black)
- LA1- UW36 -L 36W Column loudspeaker (white)

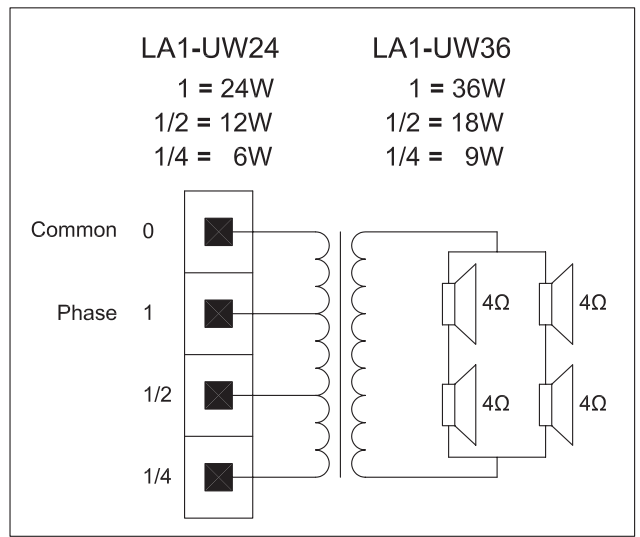
Column Loudspeakers

Security Systems

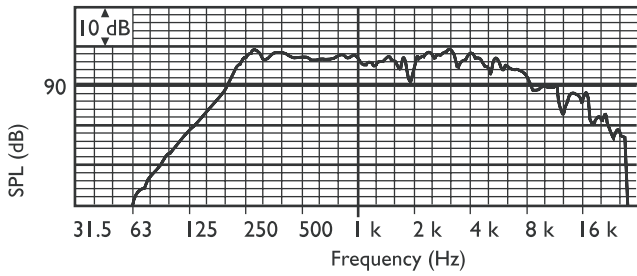
EN | **Instructions for use**
 LA1- UW24 - D/L
 LA1- UW36 - D/L



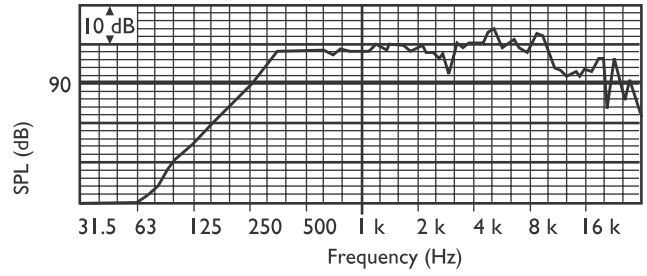
Dimensions of LA1-UW24/36 (in mm)



Circuit diagram of LA1-UW24/36

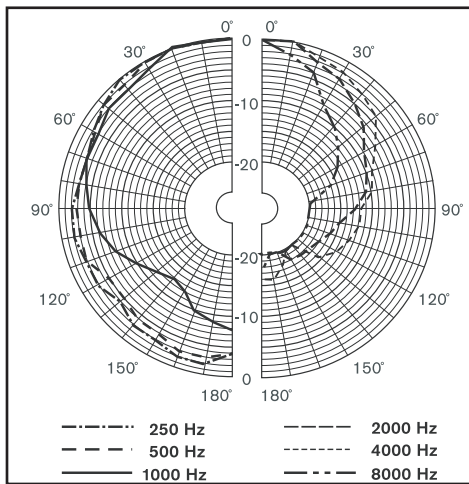


Frequency response(LA1-UW24)



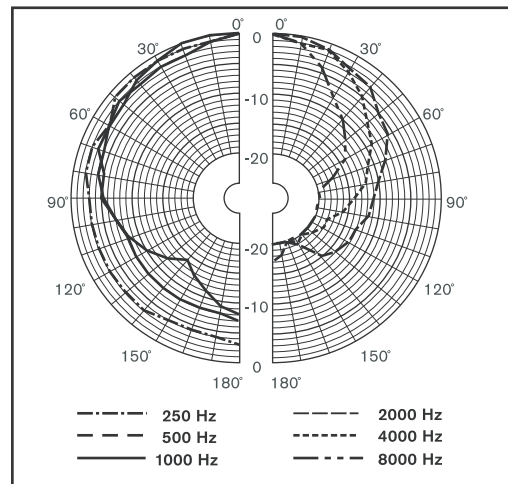
Frequency response(LA1-UW36)

LA1- UW24

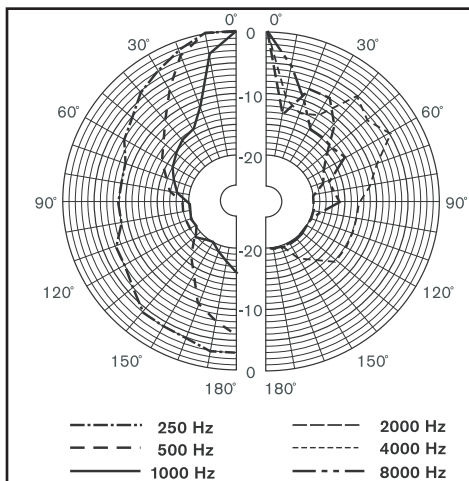


Polar diagram horizontal (measured with pink noise)

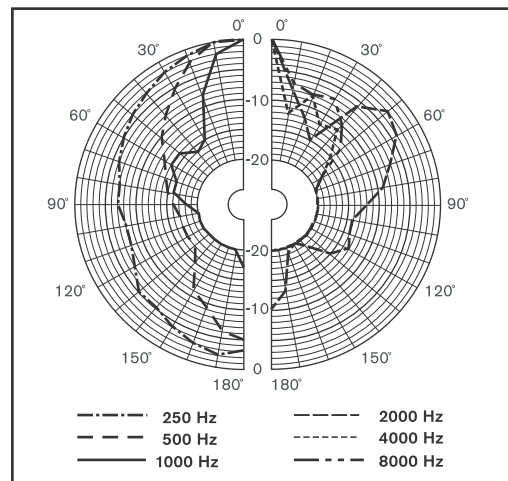
LA1-UW36



Polar diagram horizontal (measured with pink noise)



Polar diagram vertical (measured with pink noise)



Polar diagram vertical (measured with pink noise)